



ROCKET[®]
ESPRESSO MILANO

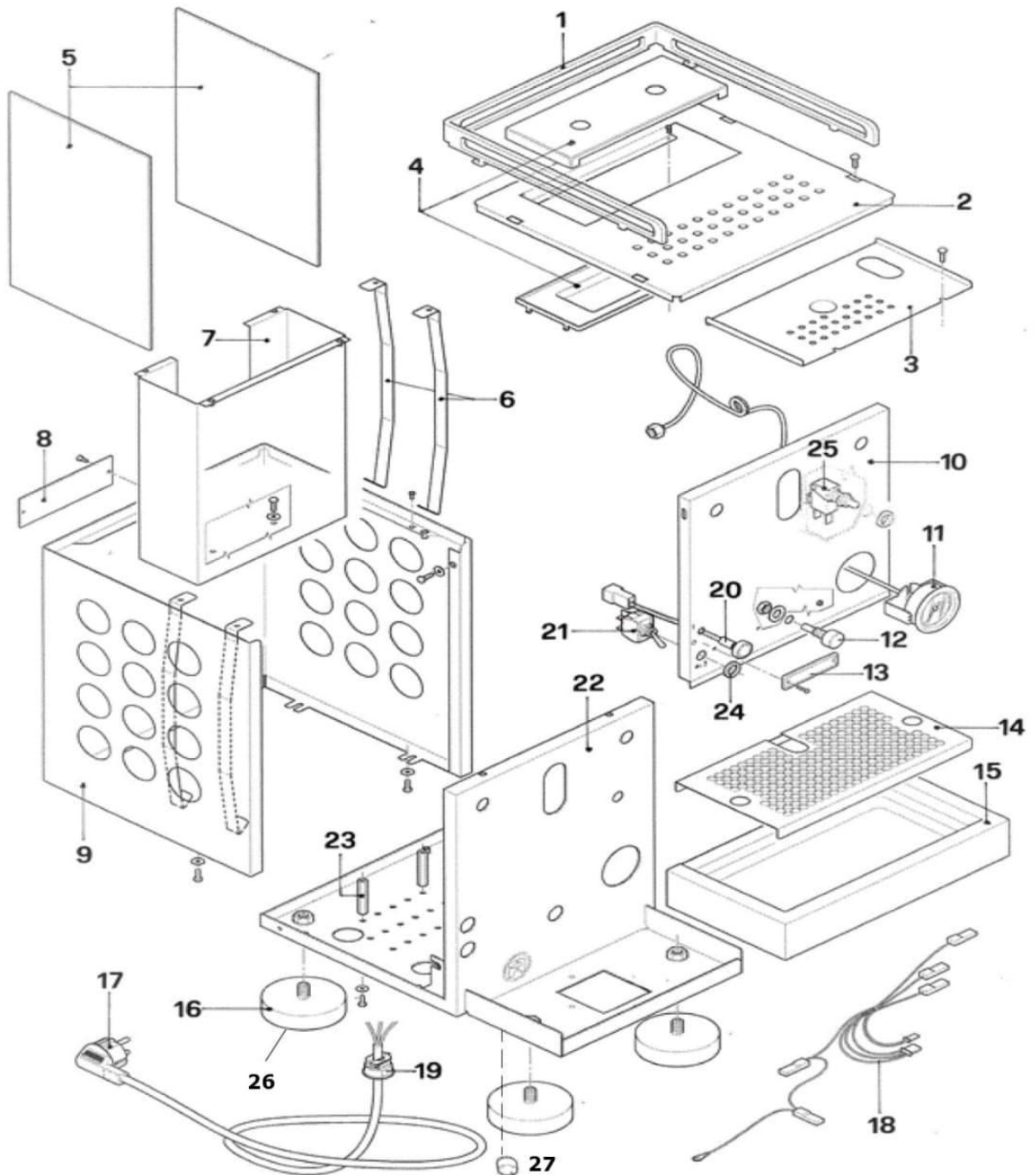
APPARTAMENTO

Espresso Machine

Spare Parts Catalogue

Ed.04.2023

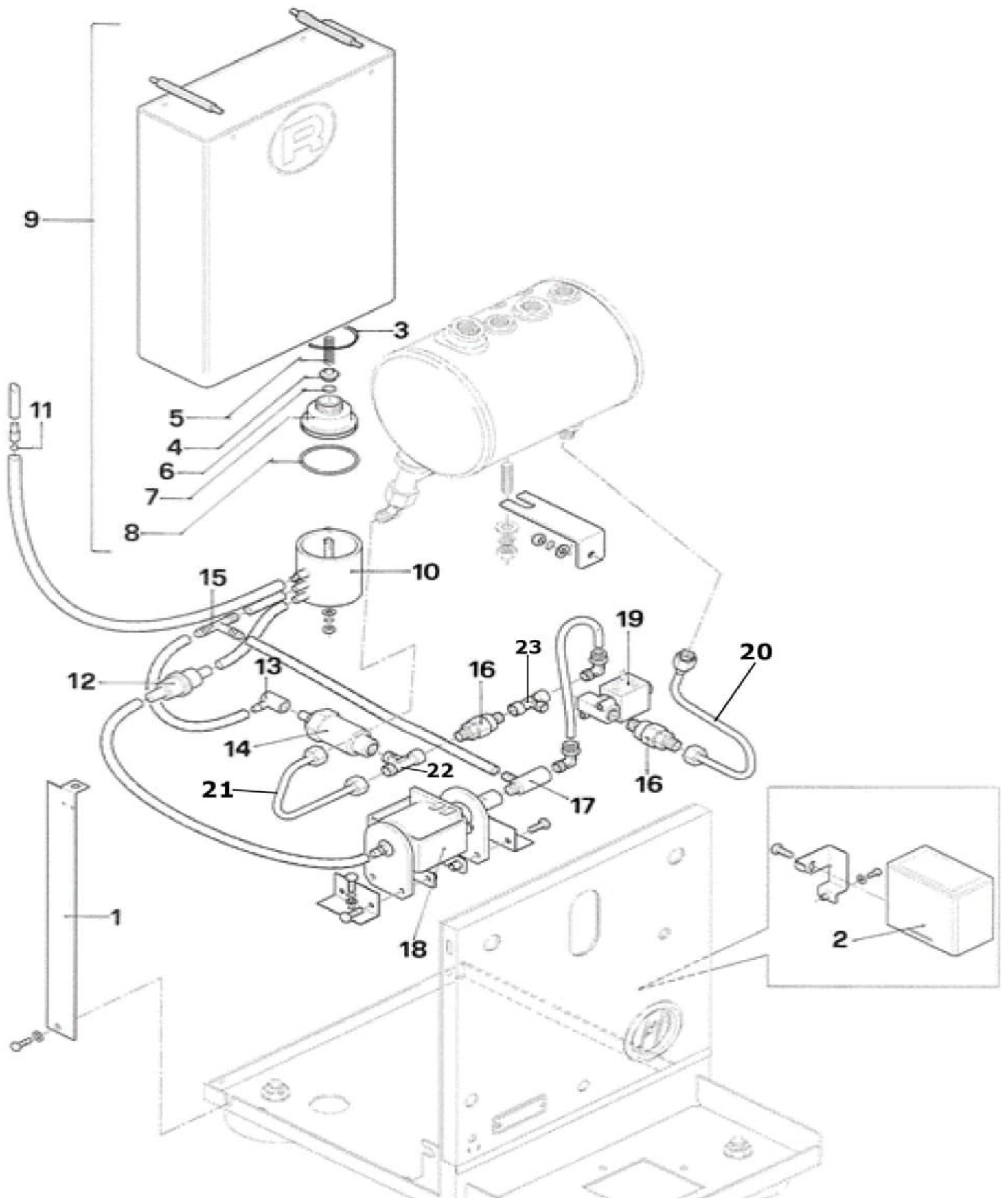
BODYWORK



BODYWORK

os.	#	Description	Euro	Notes
1	RA9BV06129	Stainless steel Cups frame black	113.40	Final price
1	A639905639	Plastic Cups Tray	25.60	
2	A019905631	Cups tray	30.40	
3	A019905636	Boiler cover plate	14.22	
4	R01L000382	Tank cover	20.00	
5	A639905747	Opal white side panel	10.13	
	A619905749	Side panel with copper finishing	30.8	
6	A019905732	Side panel fixing bracket	7.11	
7	A019904656	Tank guide	39.56	
8	A859904400	Rear tag	21.66	
9	A019905629	Bodywork panel	77.00	
	A01B965629	Black Bodywork panel	135.00	
10	A011005632	Front panel	36.40	
11	A299905785	Boiler pressure gauge	32.00	
12	A227704363	Expansion connector	6.30	
13	A859905733	Front tag	16.20	
14	A019905633	Grid	21.15	
15	A01L005630	Drain tray	82.71	
16	A059905755	Foot	13.46	
17	C199900957	Power cord CE	9.00	
	A199904518	Power cord Israel	16.00	
	A199904616	Power cord Korea	14.00	
	C199900958	Power cord UL	16.00	
	C199901115	Power cord AUS/NZ	15.40	
	C199901116	Power cord GB	14.20	
	C199901510	Power cord CH	9.00	
18	A199906562	Wiring loom	31.60	Only From S/N D1902
19	C439900086	Cable retainer	1.65	
20	A199905886	Green control lamp machine on/off	3.40	
21	A199904992	On/Off switch	10.00	
22	A009905628	Basement	80.01	
23	A529905637	Tank guide fixings	3.75	
24	A527704305	Ring nut	3.50	
25	A199905198	Microswitch	9.15	
26	R849906343	OR for foot	0.63	
27	M199905452	ECO mode Switch Appartamento	3.26	From S/N D2008

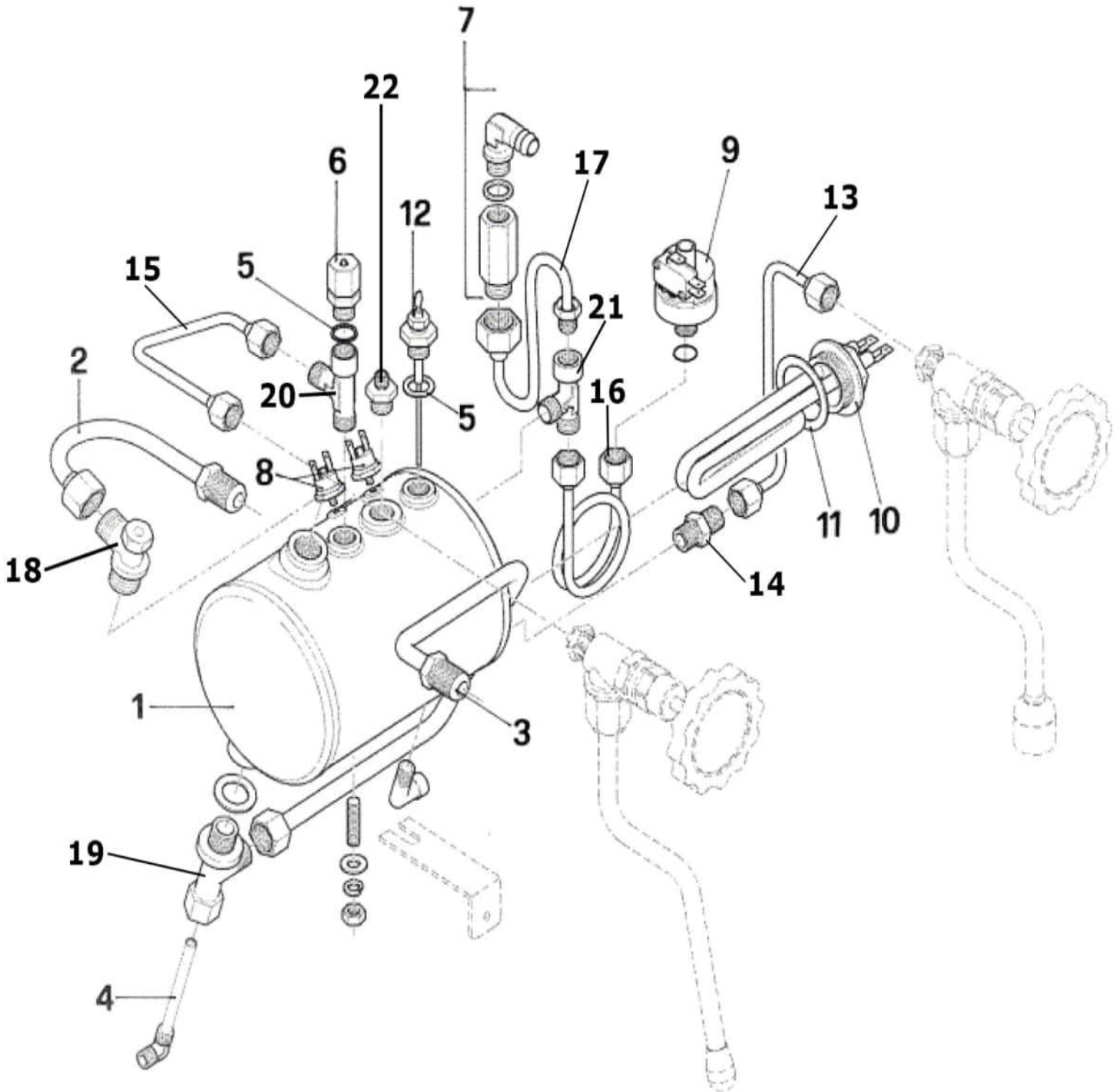
HYDRAULIC PARTS / PUMP AREA



HYDRAULIC PARTS / PUMP AREA

Pos.	#	Description	Euro	Notes
1	A019905635	Support	7.74	
2	A199907552	Control board V.240	85.50	AU,NZ
	A199907550	Control board V. 230	72.00	From S/N D1915
	A199907551	Control board V. 115	74.25	From S/N D1915
	A190004524	Control board V. 230 (previous model)	52.50	To S/N D1915
	A190004525	Control board V. 115 (previous model)	52.50	To S/N D1915
3	A449905151	O-Ring	0.40	
4	C430003482	Tank connector	4.50	
5	C019900711	Spring	1.75	
6	C449900702	O-Ring	0.36	
7	A439905146	Coupling	2.25	
8	A449904547	O-Ring	1.45	
9	R899905145	Water tank (complete)	34.25	
10	R839905147	Manifold	5.42	
11	C430003819	Sphere	0.50	
12	C439900695	Filter	1.60	
13	C449900709	Rubber connector	1.00	
14	C229900911	Expansion valve	20.90	
15	C400002827	Rubber T-Connector	1.05	
16	C229900540	Non return valve	10.98	
17	C200002112	S2 valve	4.15	
18	C199900280	Vibration pump V. 230	25.8	
	C199900281	Vibration pump V. 115	27.24	
19	C190004066	Solenoid valve V. 230	35.90	
	C190004067	Solenoid valve V. 115	35.90	
20	C229900400	Fill boiler pipe	9.27	
21	C229900399	Feeding pipe exchanger	9.18	
22	C229900644	T-Joint 1/8 M/M F	4.95	
23	C229900703	T-Joint 1/8 F/M F	4.6	

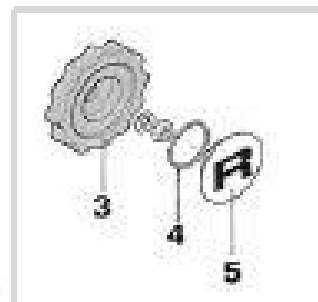
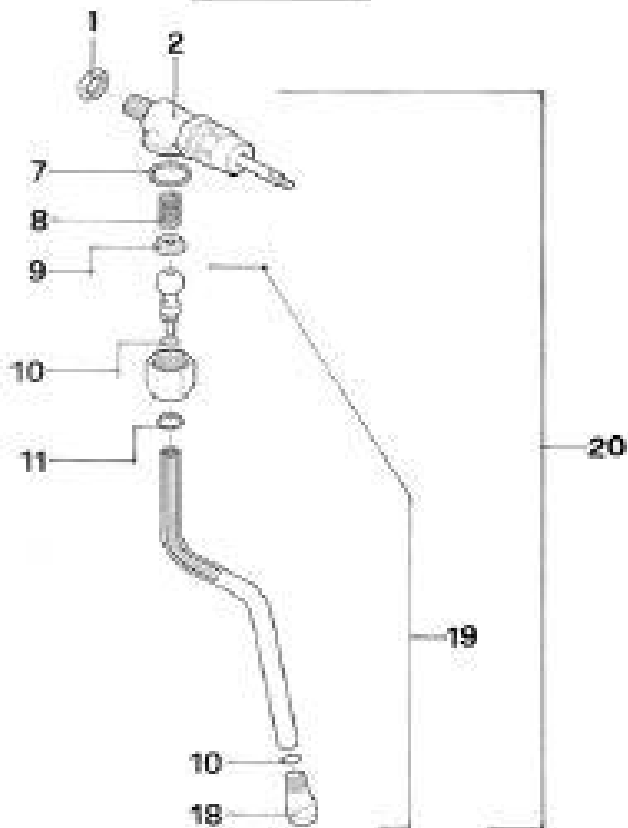
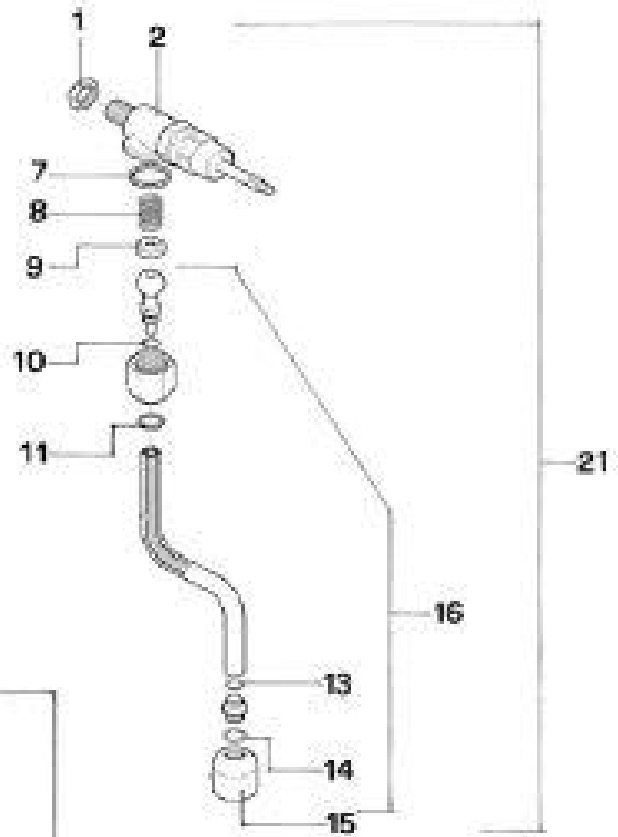
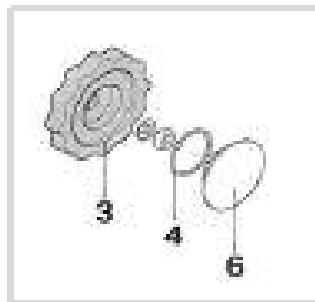
HYDRAULIC PARTS / BOILER AREA



HYDRAULIC PARTS / BOILER AREA

Pos.	#	Description	Euro	Notes
1	A27NSF5638	Boiler	173.25	
2	A27NI05817	Pipe from boiler to group	16.25	
3	A27NI04289	Thermosiphonical return pipe	18.95	
4	C22NI00393	Injector	9.76	
5	A269904417	Teflon gasket 1/4"	0.35	
6	A219905510	Vacuum breaker valve	9.30	
7	A299904998	Safety valve	22.40	
8	C199901550	Safety Thermostat	3.60	
9	C199900294	Pressure switch	26.30	AU, USA,NZ,ISR
	A199906971	Pressure switch	11.98	ALL OTHERS
10	C199901551	Heating element V. 230	48.65	
10	C199901552	Heating element V. 115	58.40	
11	C469900239	Heating element gasket	5.50	
12	C199900839	Boiler level probe	10.80	
13	A27NI06086	Water pipe TeaB	10.08	
14	C229900520	Nipples	2.85	
15	A27NI06087	Steam Pipe TeaB	9.36	
16	A279904292	Pressurestat Pipe	9.40	
17	A279905786	Security Valve Pipe	10.94	
18	A229904957	Inlet connector	11.25	
19	C229900740	Lower thermosiphonical pipe	9.40	
20	A229905820	T-Joint 1/4 M/M F with Seal Seat	11.07	
21	C229900528	T-Joint 1/4 M/M F	7.80	

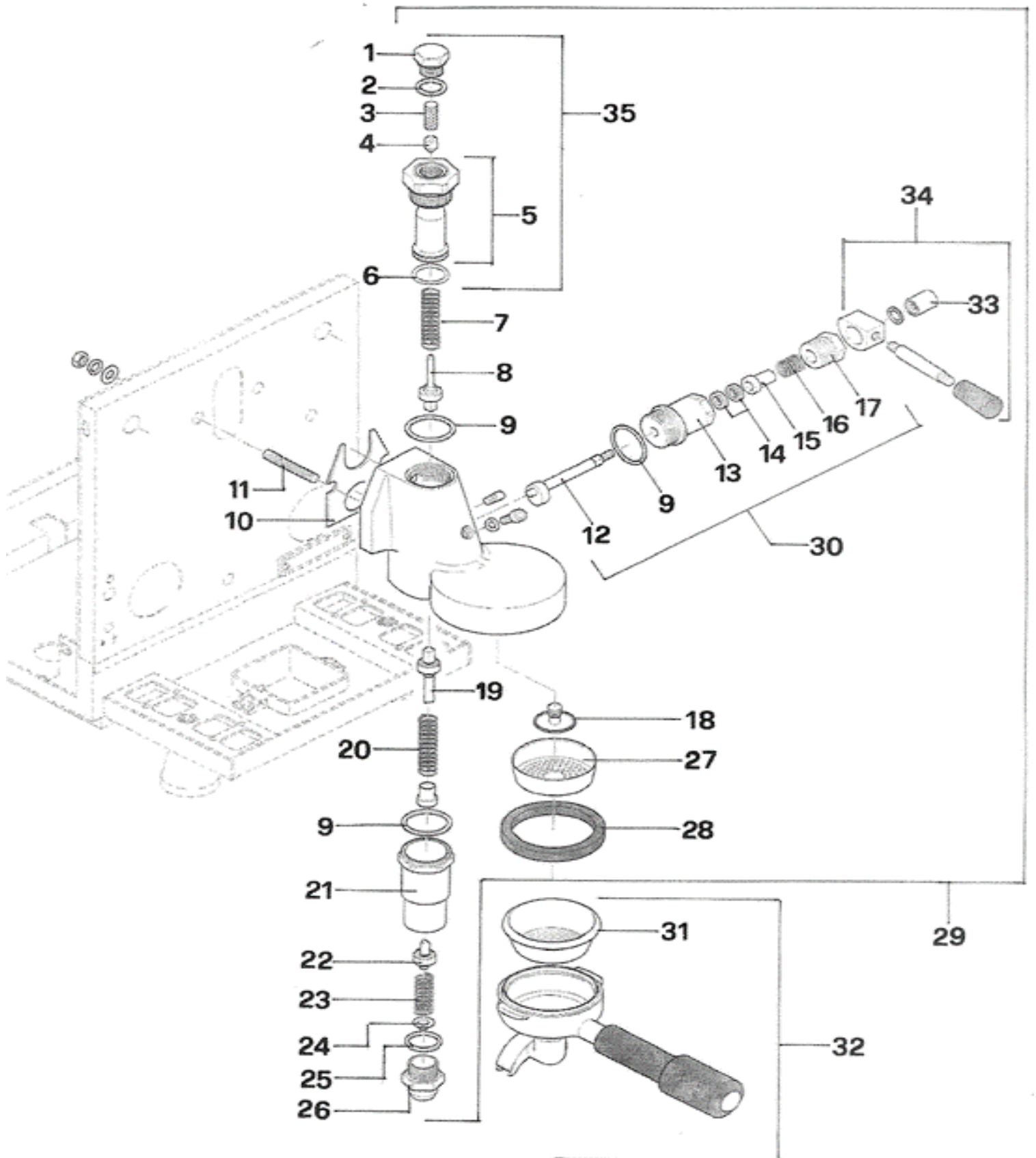
STEAM & HOT WATER VALVE ASSEMBLY



STEAM & HOT WATER VALVE ASSEMBLY

Pos.	#	Description	Euro	Notes
1	A329905087	Nut 1/4"	2.00	
2	A229905784	Hot Water Steam Pipe	48.50	
3	A639905816	Handle	7.42	
4	A449904672	O-Ring	0.34	
5	A529R04649	"R" cover for steam valve handle	19.8	
6	A527704649	Cover for hot water handle	15.75	
7	A449904331	Teflon gasket	0.72	
8	A209904332	Spring	0.65	
9	A229904333	Plate	0.87	
10	C400002022	O-Ring	0.25	
11	A449904334	O-Ring	0.35	
13	C400002022	O-Ring	0.25	
14	C400003008	O-Ring	0.30	
15	C227700536	Hot water nozzle	6.43	
16	R290003612	Hot water wand (complete)	35.60	
18	C200002839	Steam nozzle 2 holes 1,5	5.58	
19	R290003611	Steam wand (complete)	26.02	
20	R299906015	Steam wand with valve	68.47	
21	R299906016	Hot water wand with valve	68.47	
22	R229905953	Shaft	8.77	

Brewing Head ("Group")



Brewing Head ("Group")

Pos.	#	Description	Euro	Notes
1	A229904391	Rounded nut	8.10	
2	C469900420	Gasket	0.50	
3	C619900554	Filter	2.56	
4	C229900549	Gigleur 0.8	1.25	
5	R299906767	Replacement Ceramic Shaft	34.85	
6	C469900422	Green gasket	1.50	
7	A999905754	Spring	1.50	
8	R229905608	Valve	13.9	
9	C469900421	Teflon gasket	1.80	
10	C449900767	Gasket	1.62	
11	A319904599	Screw	0.18	
12	R229905238	Shaft	29.00	
13	R000002142	Flange	15.75	
14	C219900426	Gasket	1.50	
15	R000002143	Support	3.00	
16	C219900427	Spring	2.00	
17	R000002144	Cam Housing	5.40	
18	C229901228	Diffuser	11.55	
19	R229905239	Valve	17.55	
20	A999905754	Spring	1.50	
21	C229901165	Cylinder	32.40	
22	R229905609	Valve	11.25	
23	R299905958	Spring	2.50	
24	R000002148	Connector	5.05	
25	C469900783	Gasket	0.50	
26	R000002149	Connector	7.65	
27	C519900103	Shower foil	3.25	
28	C449900229	Group gasket	1.62	
29	C200002983	Group complete	327.25	
30	R299905887	Cam kit	36.75	
31	C610003902	7 g filter basket	6.08	
	C610003901	14 g filterbasket	6.08	
	C619900106	Backflush cap ("blind filter")	3.15	
32	A699905020	1 cup filter holder with basket	40.68	
	A699905021	2 cups filter holder with basket	40.68	
33	R000002146	Pin	4.50	
34	R299905888	Lever assembly	32.6	
35	RA99905814	Ceramic group shaft	30.00	Final Price

CONTROL BOARD TABLE

MACHINE SERIAL NUMBER	MODEL	USE CONTROL BOARD		VERSION USA
EARLY VERSIONS	GIOTTO	A190004275	PRE GREEN PLUG VERSION	
EARLY VERSIONS	CELLINI	A190004275	PRE GREEN PLUG VERSION	
	GIOTTO TYPE V	A190004524		A190004525
	MOZZAFIATO TYPE V	A190004524		A190004525
	GIOTTO EVOLUZIONE R	A190004524		A190004525
	MOZZAFIATO EVOLUZIONE R	A190004524		A190004525
FROM D1915...	GIOTTO CRONOMETRO V	A199906656		A199906657
FROM D1915...	MOZZAFIATO CRONOMETRO V	A199906656		A199906657
	GIOTTO CRONOMETRO V	NON ECO MODE	REMOVE BRIDGE FROM CONTROL BOARD A199906656	A199906657
	MOZZAFIATO CRONOMETRO V	NON ECO MODE	REMOVE BRIDGE FROM CONTROL BOARD A199906656	A199906657
FROM D1915...	GIOTTO CRONOMETRO R	A199906656		A199906657
FROM D1915...	MOZZAFIATO CRONOMETRO R	A199906656		A199906657
	GIOTTO CRONOMETRO R	NON ECO MODE	REMOVE BRIDGE FROM CONTROL BOARD A199906656	A199906657
	MOZZAFIATO CRONOMETRO R	NON ECO MODE	REMOVE BRIDGE FROM CONTROL BOARD A199906656	A199906657
TO D1915...	APPARTAMENTO	A190004524	**NB LOW TENSION CONNECTION	A190004525
			*To modify Appartamento low tension to D1915... to high tension	
			1. Use wiring modification file	
			2. Use pressurestat 16A	
			3. Use control board A199906656	A199906657
FROM D1915...	APPARTAMENTO ECO MODE	A199906656		A199906657
FROM D1915...	APPARTAMENTO NON ECO MODE	A199906656	REMOVE CONTROL BOARD BRIDGE	A199906657