

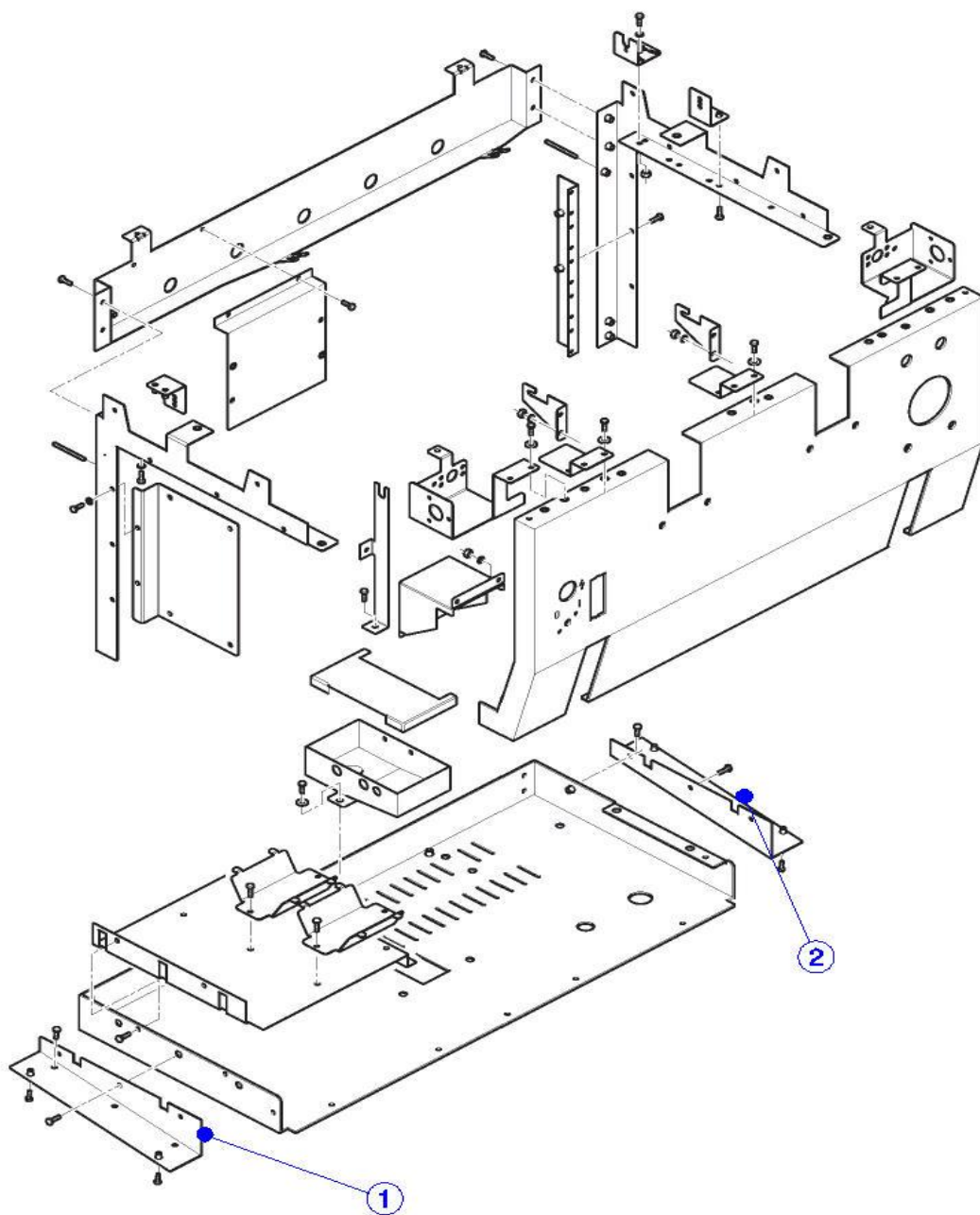


R9V

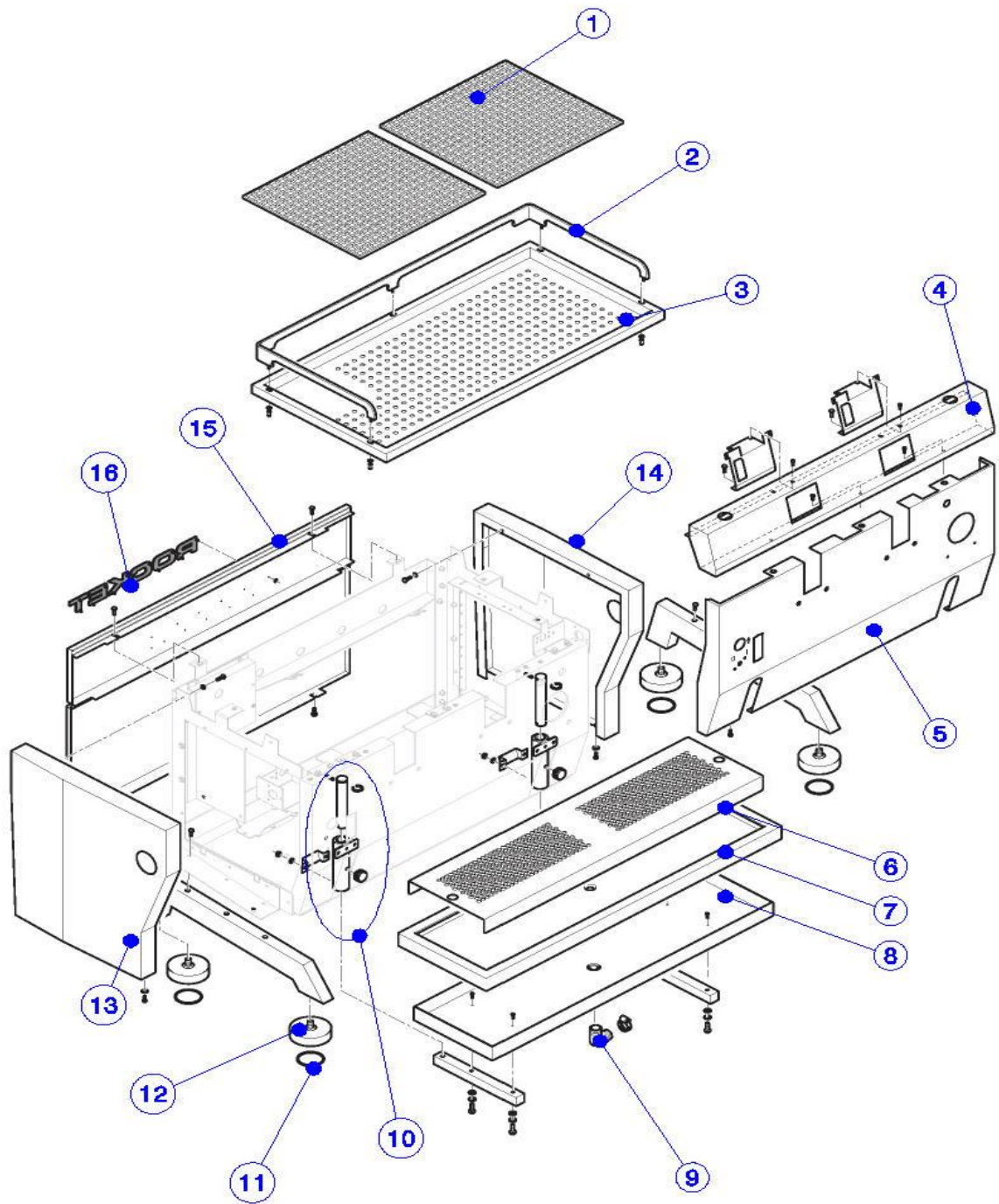
Spare parts catalogue - Ersatzteilkatalog - Catalogue pièces détachées

Ed. 11.2022

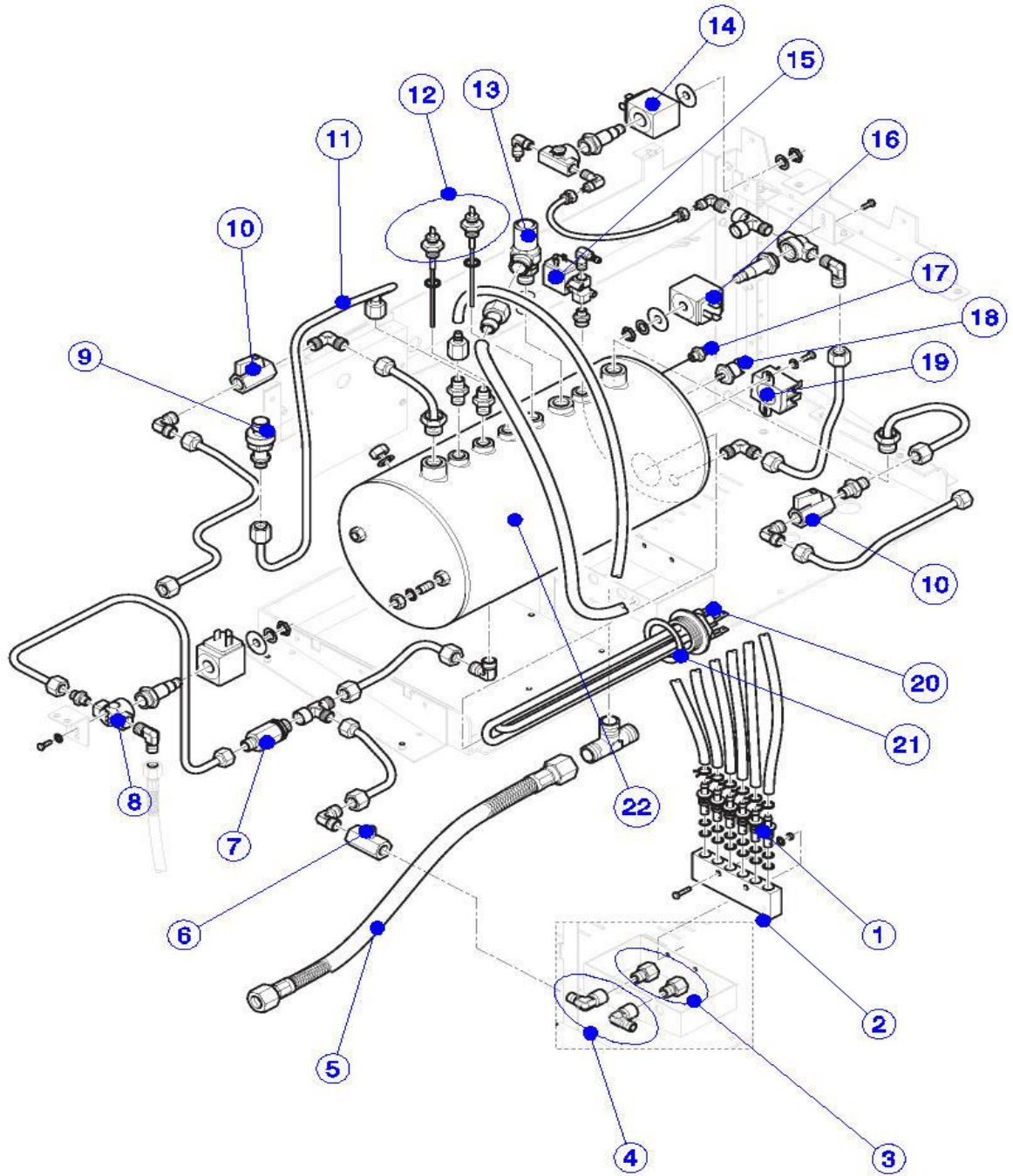
From the Serial number: C1905R9V06914



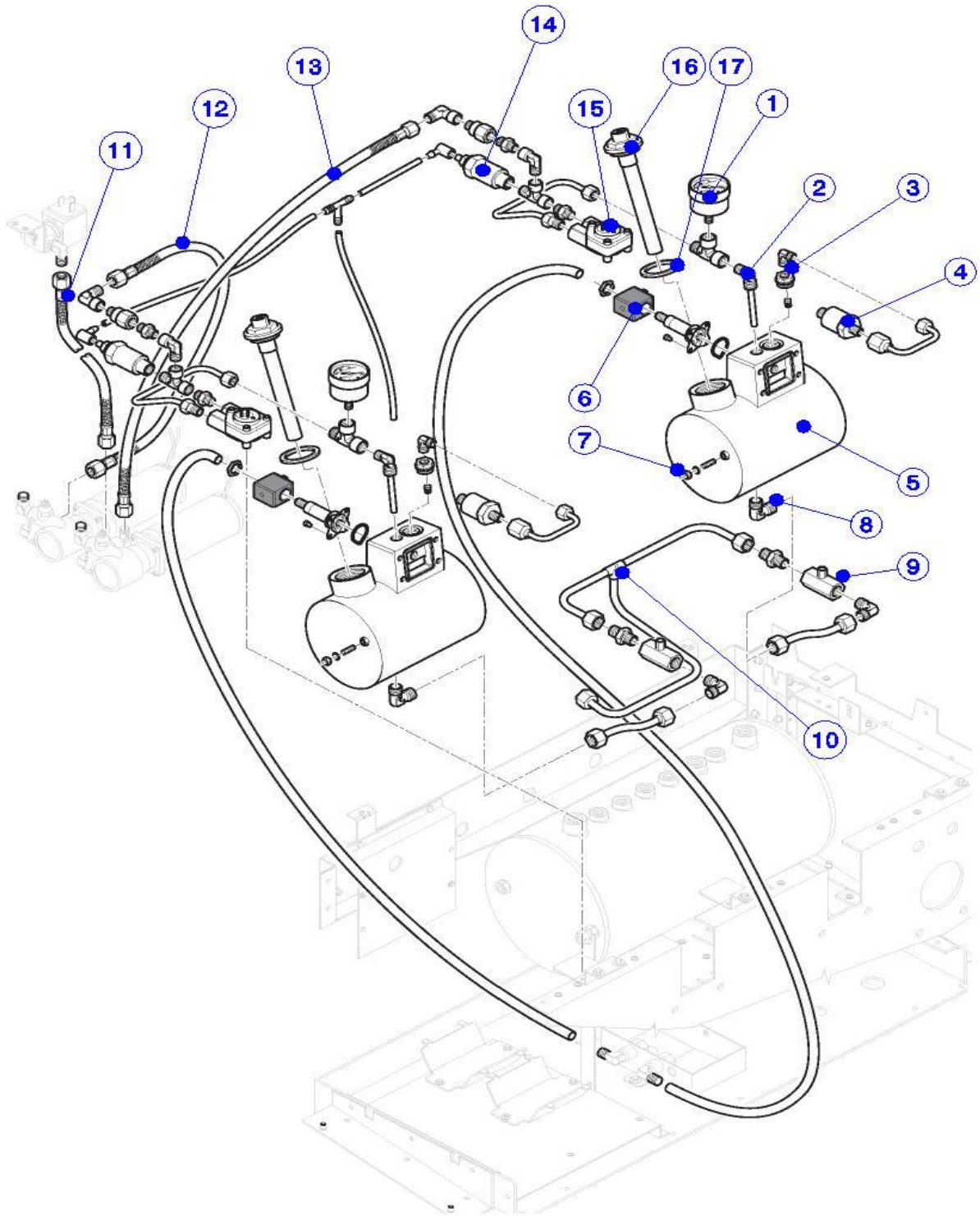
Pos.#	Description	Beschreibung	Description		Notes
1	M009906423	angular support SX			
2	M009906424	angular support DX			



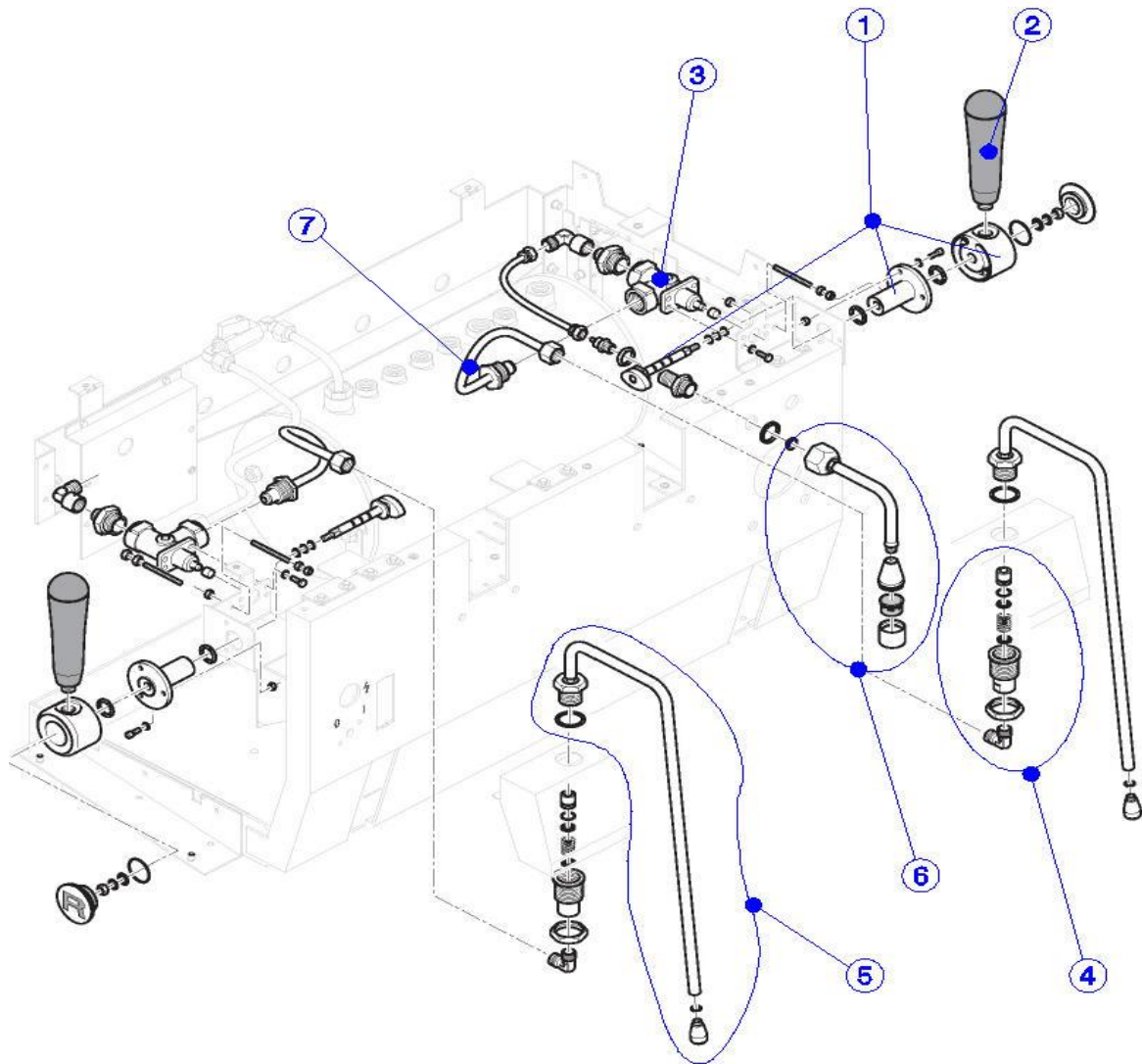
Pos. #	Description	Beschreibung	Description	Notes
1	M649904850	Black plastic grid		
2	M019906435	Cups tray 2 gr		
	M019906436	Cups tray 3 gr		
3	M619906433	Frame 2 gr		
	M619906434	Frame 3 gr		
4	M019906461	Touchpad panel 2 gr		
	M019906462	Touchpad panel 3 gr		
5	M019906458	Front panel 2 gr.		
	M019906459	Front panel 3 gr.		
6	M019904731	Cups grid 2 gr		
	M019904732	Cups grid 3 gr		
7	M019906470	Grid Basin 2 gr		
	M019906471	Grid Basin 3 gr		
8	M019906466	Basin support 2 gr		
	M019906467	Basin support 3 gr		
9	M229906598	Drain basin L connector		
10	M519906475	Basin guide complete		
11	R849906343	O-Ring		
12	A05L005755	Foot complete		
13	M019906430	Lateral Panel SX INOX		
	M01B906430	Lateral Panel SX BLACK		
	M01W906430	Lateral Panel SX WHITE		
14	M019906429	Lateral Panel DX INOX		
	M01B906429	Lateral Panel DX BLACK		
	M01W906429	Lateral Panel DX WHITE		
15	M019906437	Back panel INOX 2gr		
	M019906438	Back panel INOX 3gr		
	M01B906437	Back panel BLACK 2gr		
	M01B906438	Back panel BLACK 3gr		
	M01W906437	Back panel WHITE 2gr		
	M01W906438	Back panel WHITE 3gr		
16	M699905518	ROCKET LOGO black		
	M619905518	ROCKET LOGO INOX		



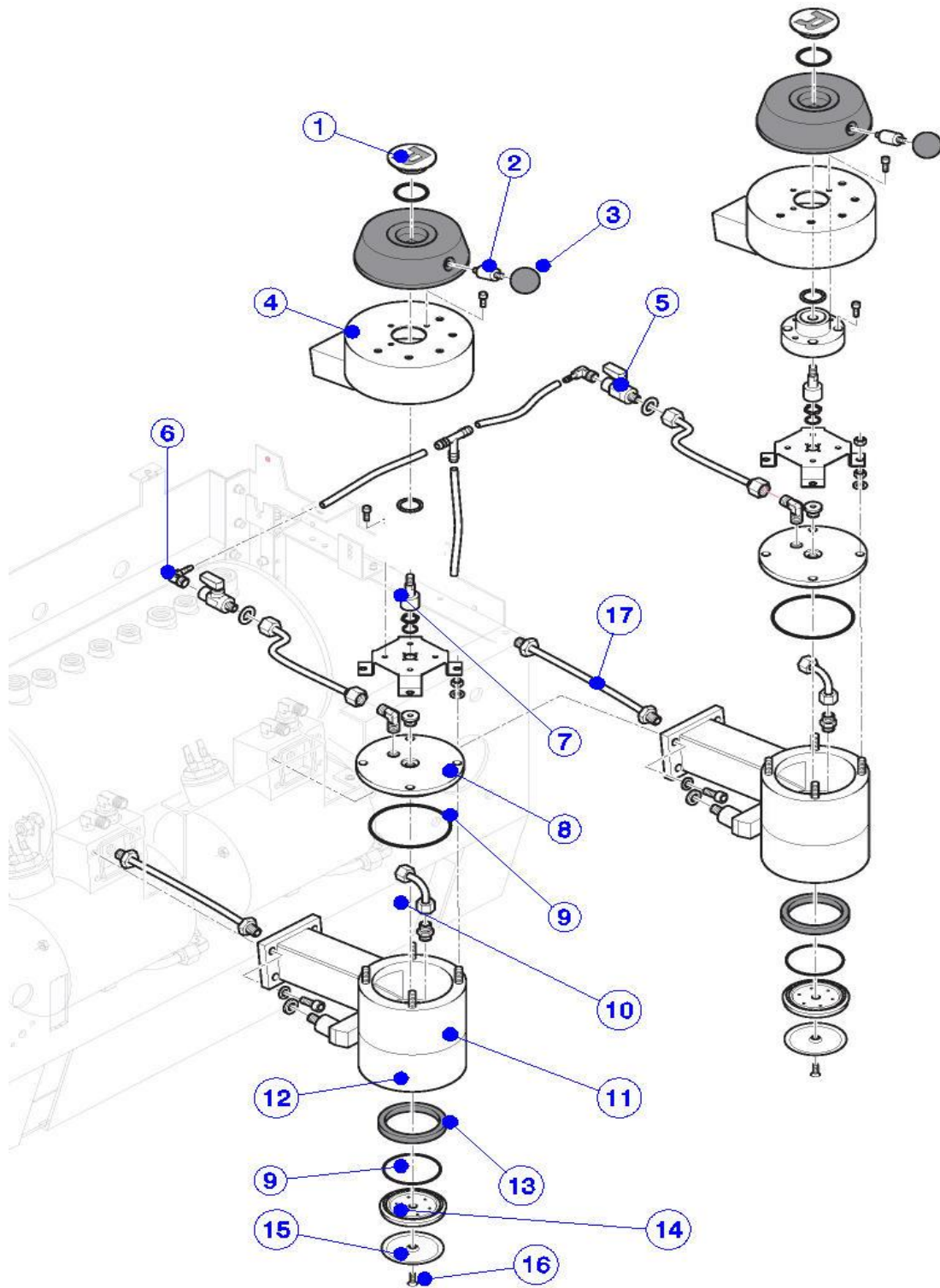
Pos. #	Description	Beschreibung	Description	Notes
1	M529905382	Diffuser		
2	M539906443	Flow regulator		
3	C229900520	Nipples 1/4" MM		
4	C229900595	Conector L 1/4" MF		
5	M299906442	Flexible pipe drain basin		
6	M229904791	tap 1/4" FF		
7	M229906029	Non-return valve 1/4" MM		
8	M199904763	EV 2 way 1/4"		
9	M199905422	Pressure trasducer 0-100 PSI		
10	M229904791	Tap 1/4" FF		
11	M279906527	Pipe Press.trasducer - service boiler		
12	M199904821	Level probes		
13	M229906083	Safety Valve RE 1.8 bar		
14	M199905794	EV 2 way MIX		
15	M199905795	EV DAVS		
16	M199905791	EV 2 way 1/4"		
17	M229904822	Nipples 1/4" x 1/8" MM		
18	M199904767	Termostat 130°C		
19	M199904767	Termostat 130°C		
20	M199905695	Heating element 3000W - 230V 2 gr		
	M199905696	Heating elemen 3500W - 230V 3 gr		
21	A269904671	Teflon gasket Heating element 1" 1/4		
22	M219905189	Service boiler 2 gr R8 / R9 / RE Doppia		
	M219905190	Service boiler+A343:C361 3 gr R8 / R9 / RE Doppia		



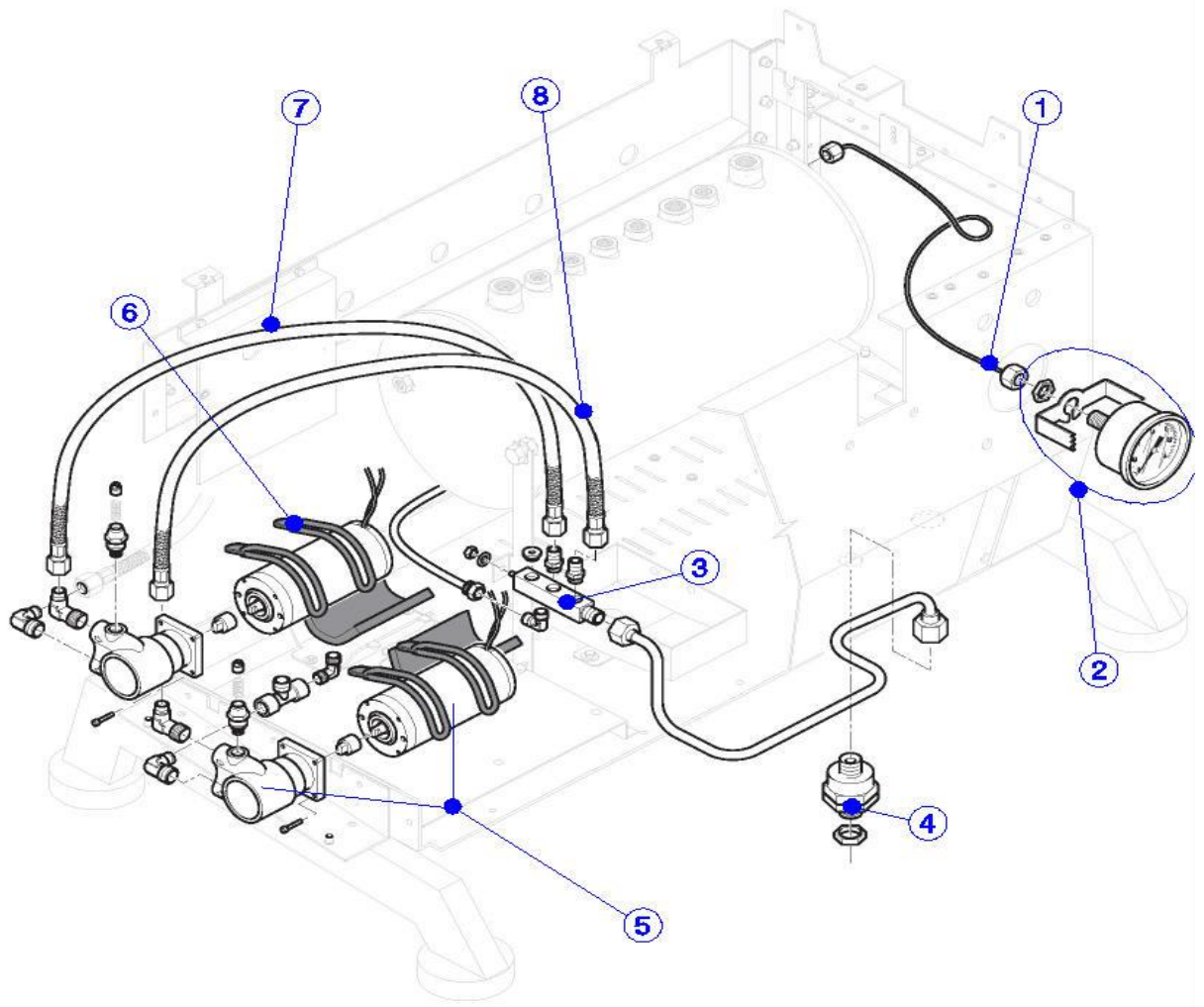
Pos. #	Description	Beschreibung	Description	Notes
1	M299906624	Manometer 0-16 bar		
2	M279905843	Injector pipe R9		
3	M229906572	Top for gicleur		
4	M199905393	Pressure transducer 0 - 20 bar		
5	M219905846	Coffee boiler R9 group		
6	M199907465	EV 3 way		
7	A319904926	Headless screw M5 x 16		
8	C229900525	Connector L 1/4" MM		
9	M229904791	Tap 1/4" FF		
10	M279906615	Drain pipe coffee boiler R9V 2gr		
	M279906616	Drain pipe coffee boiler R9V 3gr		
11	A279904353	Pipe from pump to EV		
12	M299906517	Flexible pipe 1°gr		
13	M299906518	Flexible pipe 2°gr		
	M299906519	Flexible pipe 3°gr		
14	M229906029	Non-return Valve 1/4" MM		
15	M229904783	Flowmeter		
16	C199901551	Heating element 1200W - Heating element 1000W - 230V		
	M199905697			
17	C469900239	Teflon Gasket 1"		



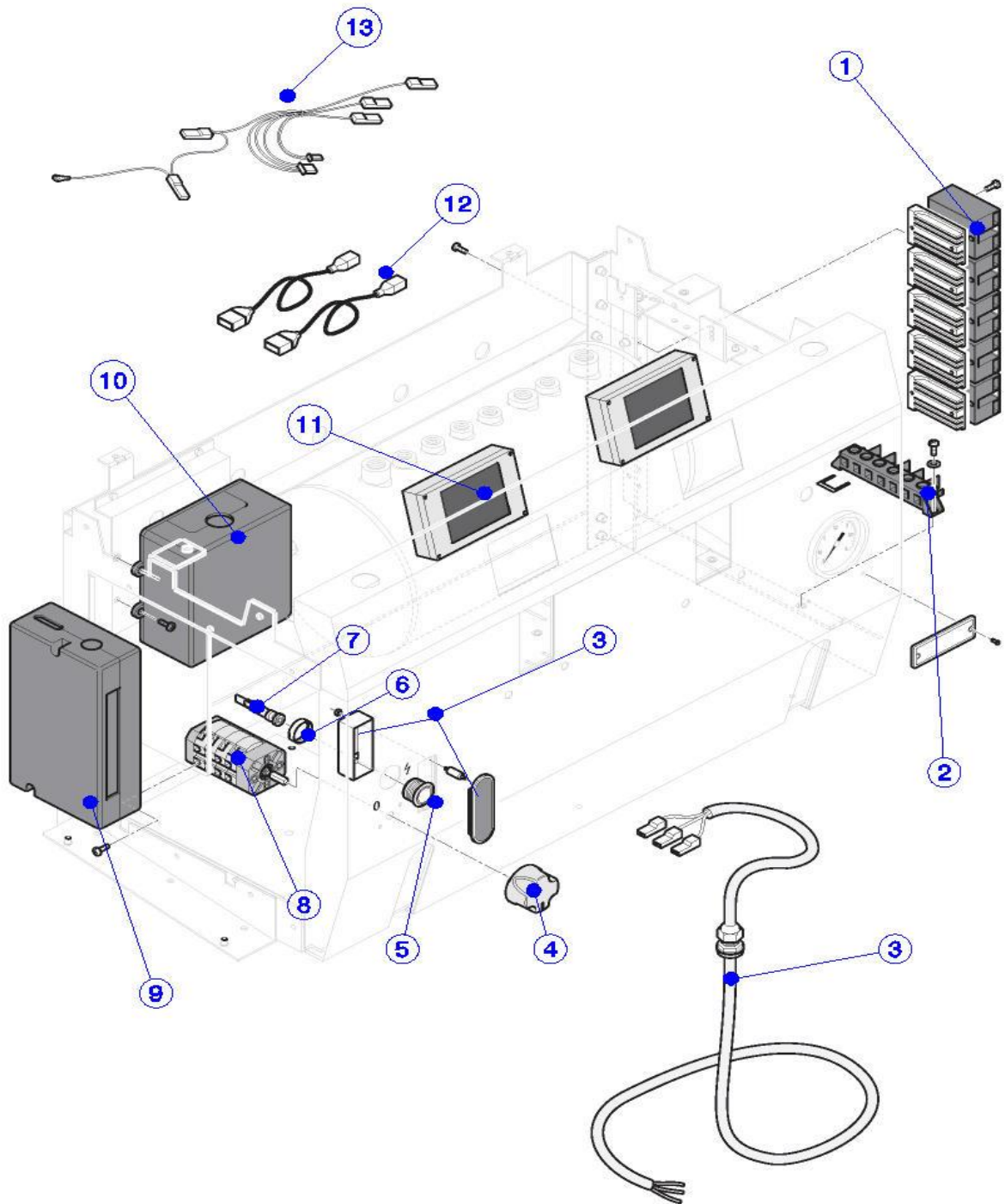
Pos.#		Description	Beschreibung	Description		Notes
1	M229907250	Steam leverage assembly				
2	M699905528	Soft touch handle				
3	M229905343	Steam tap R8-R9-RE Doppia				
4	M529905380	Steam wand joint				
5	M219906488	Complete steam wand R9V				
6	M219906417	Hot water RE Doppia/R9V				



Pos.#	Description	Beschreibung	Description	Notes
1	A527R04649	Chrome egraved tap		
2	M519906220	Rod paddle R9V		
3	M639906217	Handle paddle		
4	M019906216	Carter paddle R9 1V		
6	A229904511	Connector L 1/8" portag.		
7	M529906701	Potetiometer rod		
8	M219906219	Upper plate group R9 V		
9	R499905544	OR 3187		
10	A279904353	Pipe pump-EV		
11	M219905895	Upper group body R9		
12	M219905894	lower group body R9		
13	C449900229	Group gasket		
14	M229905305	Shower support		
15	M619905432	Shower support		
16	R319905585	Screw M5 x 12 TS		
17	M279905830	INOX Dispencing pipe		



Pos.#	Description	Beschreibung	Description	Notes
1	M219904748	Capillar Service boiler		
2	M299905566	Manometer 0-3 bar		
3	M519906510	Hydraulic distributor R9V		
4	M229904811	Water supply connector		
5	M299906285	Pump 24V		
6	M449906286	Strap		
7	M299906517	Suction pump pipe		
8	M299906517	Suction pump pipe		



Pos.#	Description	Beschreibung	Description	Notes
1	A190004666	Relay SSR		
2	M199904790	Terminal FV124		
3	M199904794	Power cable CE 3 phase		
	M199904795	Power cable CE single phase under 5000W		
	M199906021	Power cable CE single phase over 5000W		
	M199904797	Power cable USA 10 AWG (3/4 group)		
4	M499904788	Main switch handle		
5	M519905871	Control light cover		
6	M529904853	Control light ring		
7	M199905901	Control light		
8	M199905867	Main switch		
9	M199906623	Control board R9V 3gr 220- 240V		
10	M199905392	Power supply 100W 2 gr		
	M199906367	Power supply 180W 3gr		
11	M199906625	Machine's wiring R9V 2gr		
	M199906626	Machine's wiring R9V 3gr		
12	M199906539	USB wire		
	M199906766	Touchscreen Display		