

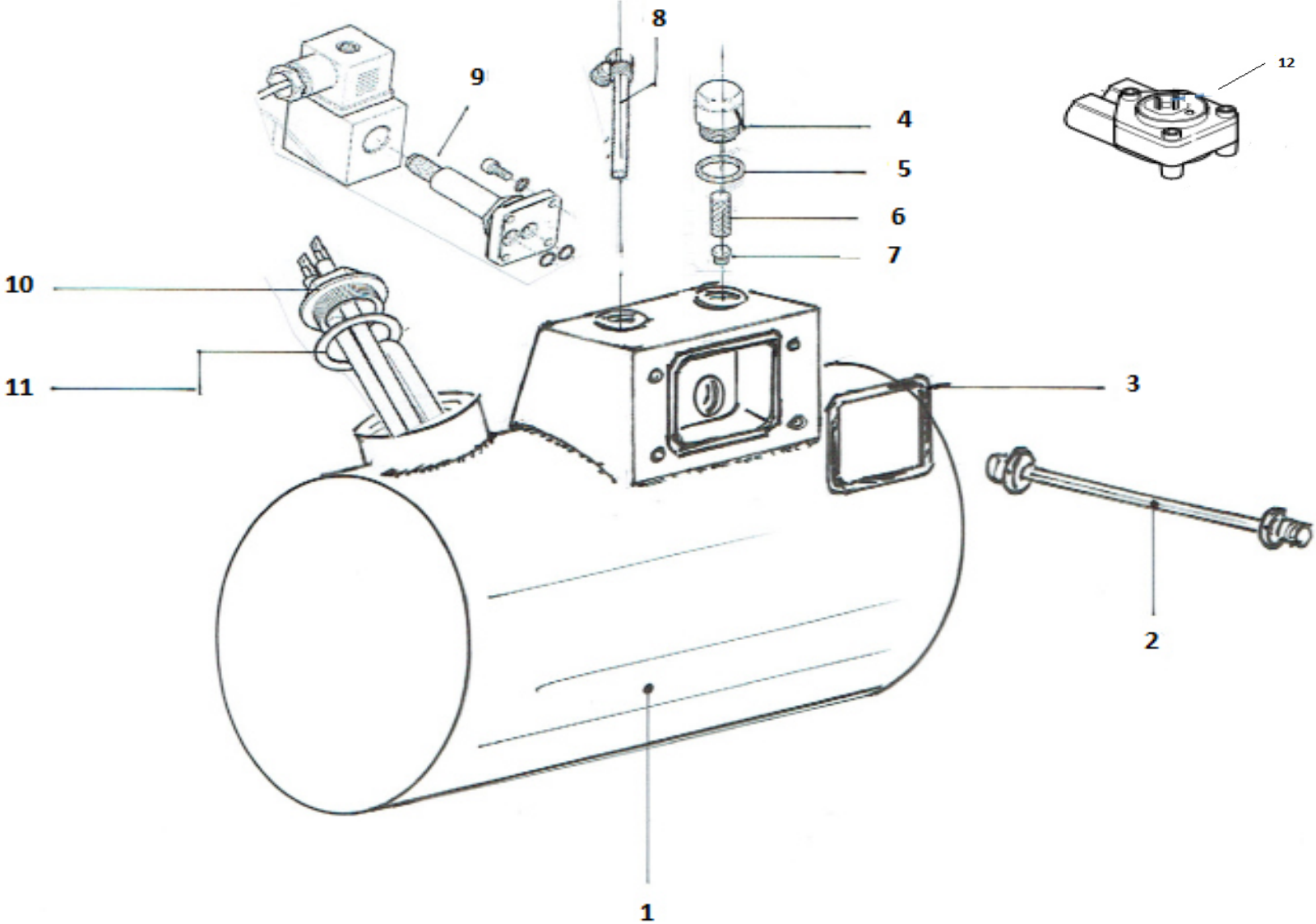


R9

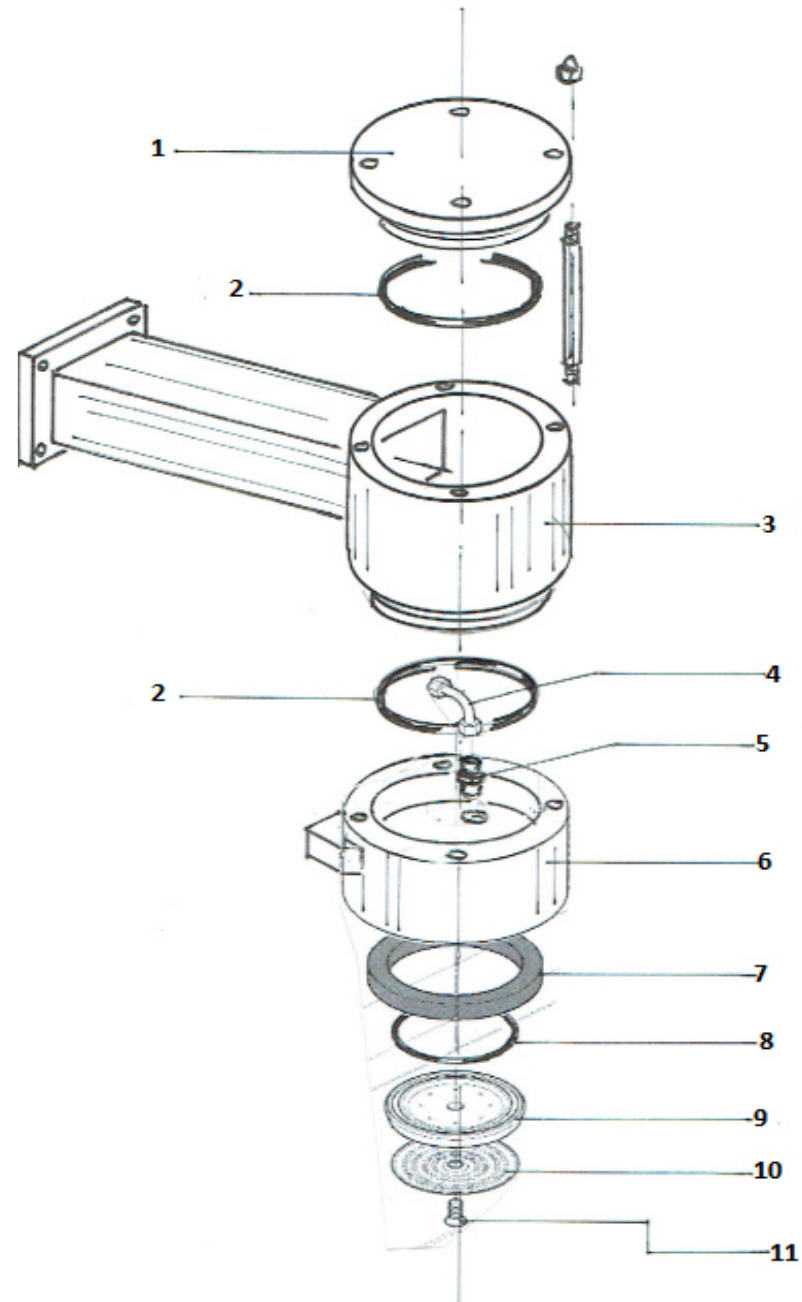
Spare parts catalogue - Ersatzteilkatalog - Catalogue pièces détachées

Ed. 11.2023

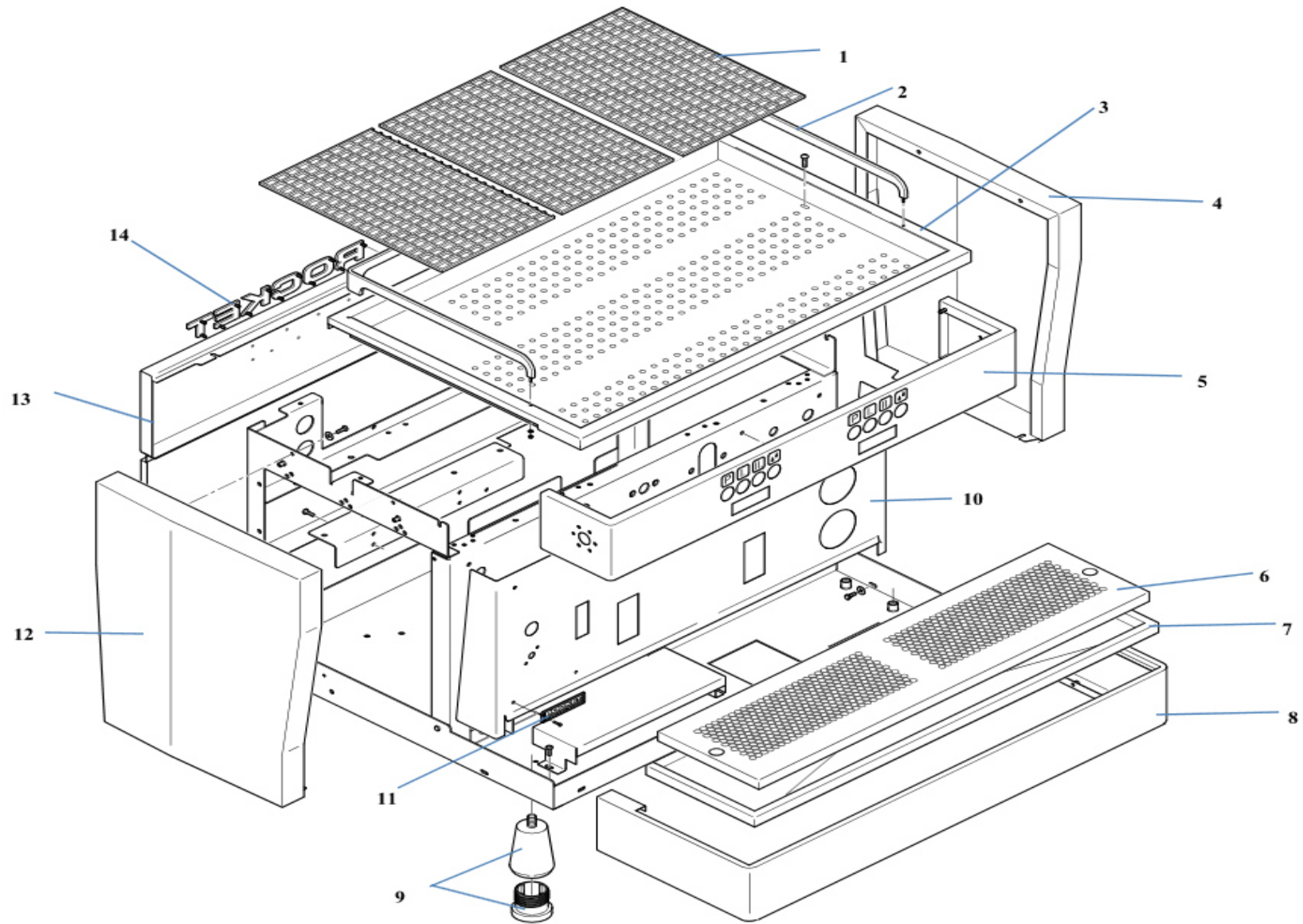
Brew boiler assembly



| Pos.# | Description | Beschreibung | Description | Notes |
|-------|-------------|---|---|---|
| 1 | M219905846 | Brew boiler | Bruehkessel | Chaudière eau café |
| 2 | M279905830 | Dispensing connection pipe | Ausgaberohr | Tuyau erogation |
| 3 | R499905544 | OR 3187 silicone | OR 3187 Silikon | OR 3187 Silicone |
| 4 | R229905891 | Gigleur plug | Gigleur Verschraubung | Couvercle à vis gigleur |
| 5 | A449904331 | Teflon gasket | Teflon-Dichtung | Joint en Téflon |
| 6 | R619905546 | Gigleur metal filter | Metallfilter Gigleur | Filtre en métal du gigleur |
| 7 | M619906022 | Gigleur 0,6 (special order) | Gigleur 0,6 (auf Wunsch) | Gigleur 0,6 (en demande) |
| | R619905547 | Gigleur 0,8 | Gigleur 0,8 | Gigleur 0,8 |
| 8 | M279905843 | Injection pipe | Einspritzrohr | Tuyau d'injection |
| 9 | M199905792 | Solenoid valve V. 230 | Magnetventil V. 230 | Électrovanne V. 230 |
| 10 | C199901551 | Heating element 1.200 W | Heizkörper 1.200 W | Résistance !.200 W |
| | M199905181 | Heating element 1.000W for USA/CDN | Heizkoerper 1.000 W fuer USA/CDN | Résistance 1.000 W version USA/CDN |
| 11 | C469900239 | Gasket heating element | Dichtung Heizkörper | Joint de la résistance |
| 12 | M229904783 | Flowmeter | Durchflussmesser | Compteur volumétrique |

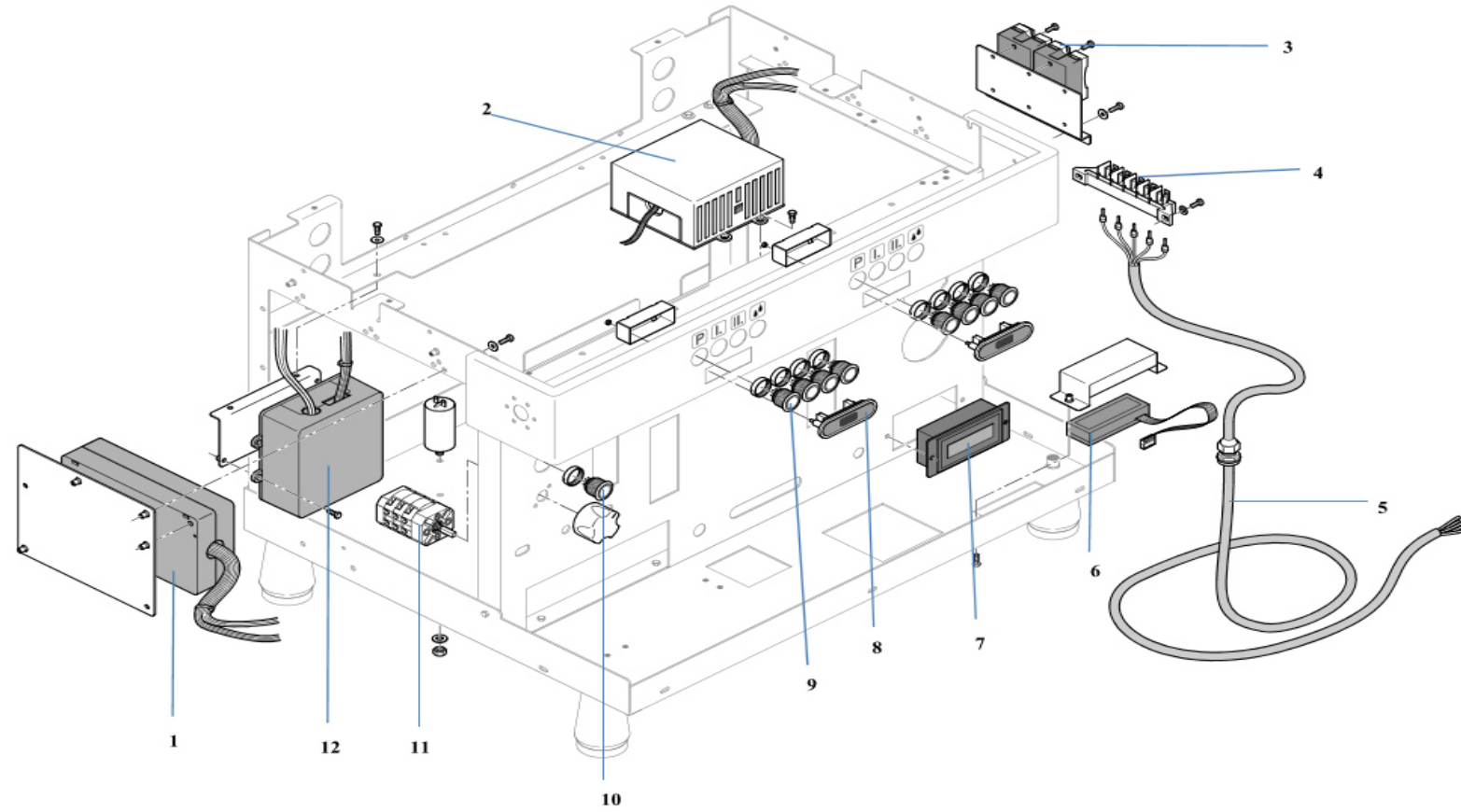


| Pos.# | Description | Beschreibung | Description | Notes |
|-------|-------------|---------------------|-----------------------|---------------------------|
| 1 | M219905896 | Group cover | Abdeckung Gruppe | Couvercle du groupe |
| 2 | M449905837 | OR 4250 silicone | OR 4250 Silikon | OR 4259 silicone |
| 3 | M219905995 | Upper group body | Oberer Gruppenkörper | Corps supérieur du groupe |
| 4 | A279904353 | Connection pipe | Verbindungsrohr | Tuyau connexion |
| 5 | C229900518 | Connector | Verbindungsstück | Connecteur |
| 6 | M219905894 | Lower group body | Unterer Gruppenkörper | Corps inférieur du group |
| 7 | C449900229 | Group gasket | Gruppendichtung | Joint du group |
| 8 | R499905544 | OR 3187 silicone | OR 3187 Silikon | OR 3187 Silicone |
| 9 | M229905305 | Shower foil support | Auflage Duschplatte | Support douchette |
| 10 | M619905432 | Shower foil | Duschplatte | Douchette |
| 11 | R319905585 | Screw | Schraube | Vis |



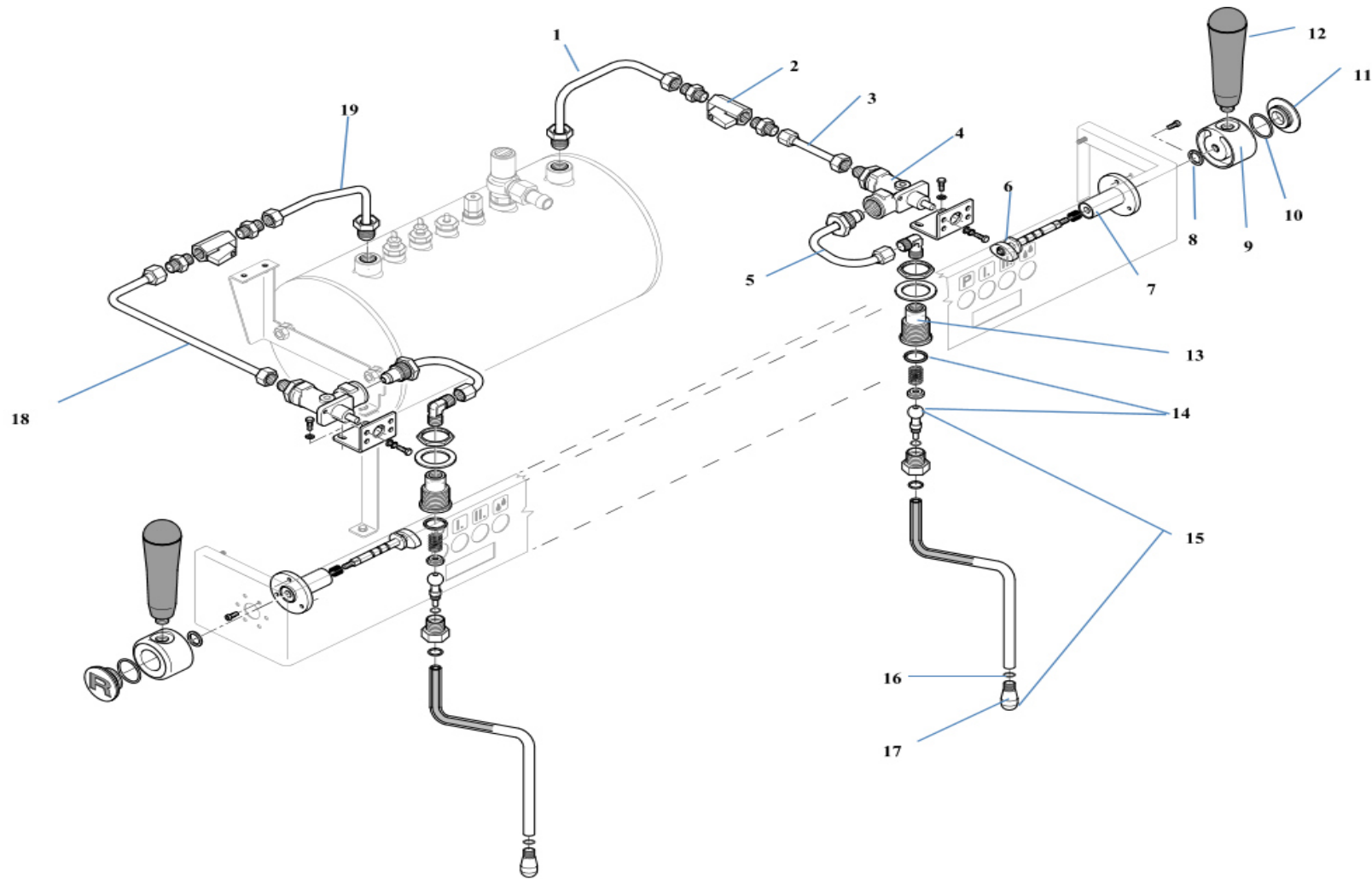
| Pos.# | Description | Beschreibung | Description | Notes |
|-------|-------------|---------------------------|------------------------------|------------------------------------|
| 1 | M649904850 | Black plastic grid | Plastik Rost | Grille plastique noire |
| 2 | M61S904841 | Frame 2 group | Tassenrand 2 Gruppen | Bord tasses 2 groupe |
| | M61S904842 | Frame 3 group | Tassenrand 3 Gruppen | Bord tasses 3 groupe |
| 3 | M019905769 | Cups tray 2 group | Tassenauflage 2 Gruppen | Bac tasses 2 groupe |
| | M019905770 | Cups tray 3 group | Tassenauflage 3 Gruppen | Bac tasses 3 groupe |
| 4 | M019905778 | Right hand panel | Rechtes Seitenpanel | Panneau latéral droite |
| 5 | M01I905775 | Upper front panel 2 gr. | Ober Frontblende 2 Gr. | Panneau frontal superioire 2 gr. |
| | M01I905776 | Upper front panel 3 gr. | Ober Frontblende 3 Gr. | Panneau frontal superioire 3 gr |
| 6 | M019904731 | Cups grid 2 group | Tropfblech 2 Gruppen | Grille tasses 2 group |
| | M019904732 | Cups grid 3 group | Tropfblech 3 Gruppen | Grille tasses 3 groupe |
| 7 | M019905167 | Cups tray 2 group | Tropfwanne 2 Gruppen | Grille tasses 2 group |
| | M019905168 | Cups tray 3 group | Tropfwanne 3 Gruppen | Grille tasses 3 groupe |
| 8 | M019905772 | Support 2 group | Blechauflage 2 Gruppen | Support grille 2 groupe |
| | M019905773 | Support 3 group | Blechauflage 3 Gruppen | Support grille 3 groupe |
| 9 | R059905341 | Foot | Gerätefuß | Pied |
| 10 | M01I905766 | Lower front panel 2 group | Untere Frontblende 2 Gruppen | Panneau frontal inferieur 2 groupe |
| | M01I905767 | Lower front panel 3 group | Untere Frontblende 3 Gruppen | Panneau frontal inferieur 3 groupe |
| 11 | M859904880 | Front model tag | Vorderes Firmenlogo | Logo antérieur |
| 12 | M019905779 | Left hand panel | Linkes Seitenpanel | Panneau latéral gauche |
| 13 | M019905780 | Rear panel 2 group | Hinteres Panel 2 Gruppen | Panneau arrière 2 groupe |
| 13 | M019905781 | Rear panel 3 group | Hinteres Panel 3 Gruppen | Panneau arrière 3 groupe |
| 14 | M619905518 | Rocket name tag | Hinteres Firmenlogo | Logo arrière |

Electrics / electronics

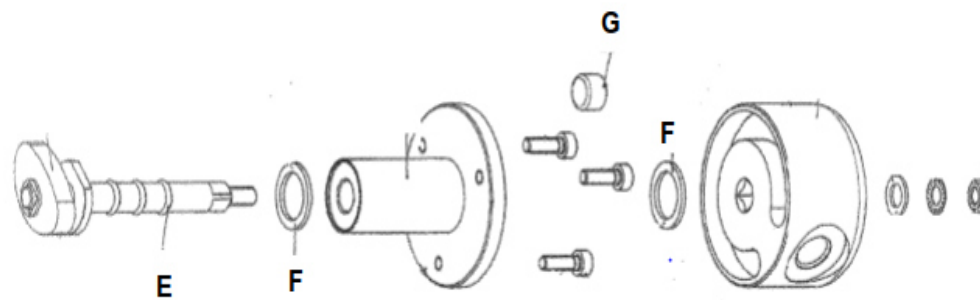
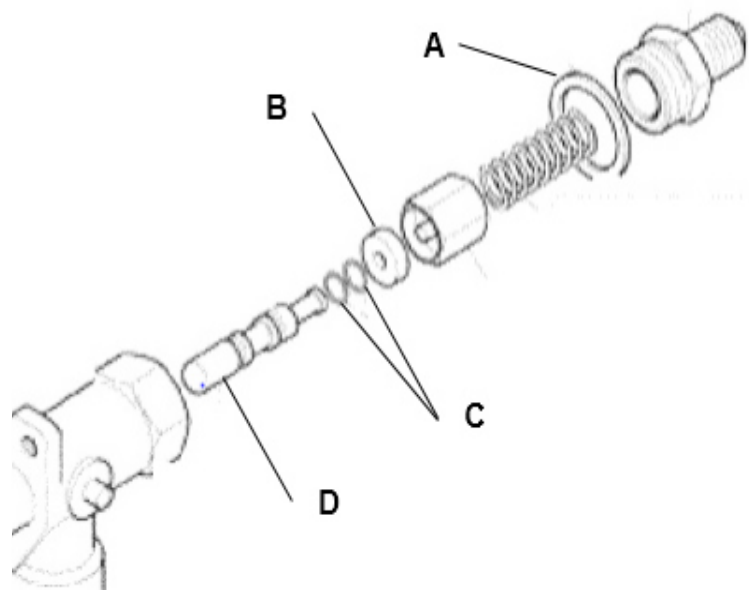


| Pos.# | Description | Beschreibung | Description | Notes |
|-------|-------------|------------------------------|-----------------------------------|----------------------------------|
| 1 | M199905391 | Main control board | Steuerelektronik | Boitier électronique |
| 2 | M199905439 | Triac board | Triac Platine | Triac |
| 3 | A190004666 | SSR relays | SSR Relé | Relé SSR |
| 4 | M199904790 | Terminal block | Klemmleiste | Bloc de connexion |
| 5 | M199904794 | Cable three phase CE | Kabel dreiphasig | Câble 3 phases |
| | M199904795 | Cable single phase CE | Kabel einphasig CE | Câble mono phase |
| 7 | M199904775 | Display | Display | Display |
| 8 | R199905622 | Group display (9 digits) | Gruppen-Display (9 Ziffern) | Display groupe (9 digits) |
| 9 | R199906165 | One single key for R9 keypad | Einzelner Taster fuer R9 Tastatur | Bouton individuel de clavier R9. |
| 10 | M199905901 | Control light | Kontroll-Lampe | Voyant lumineux |
| 11 | M199905867 | Main switch | Ein/Aus-Schalter | Commutateur 0-1 |
| 12 | M199905392 | R9/R8 power supply board | Elektronik | Boitier alimentation |
| | R199905386 | Boiler level display | Kesselfuellstands-Display | Display niveau eau chaudière |

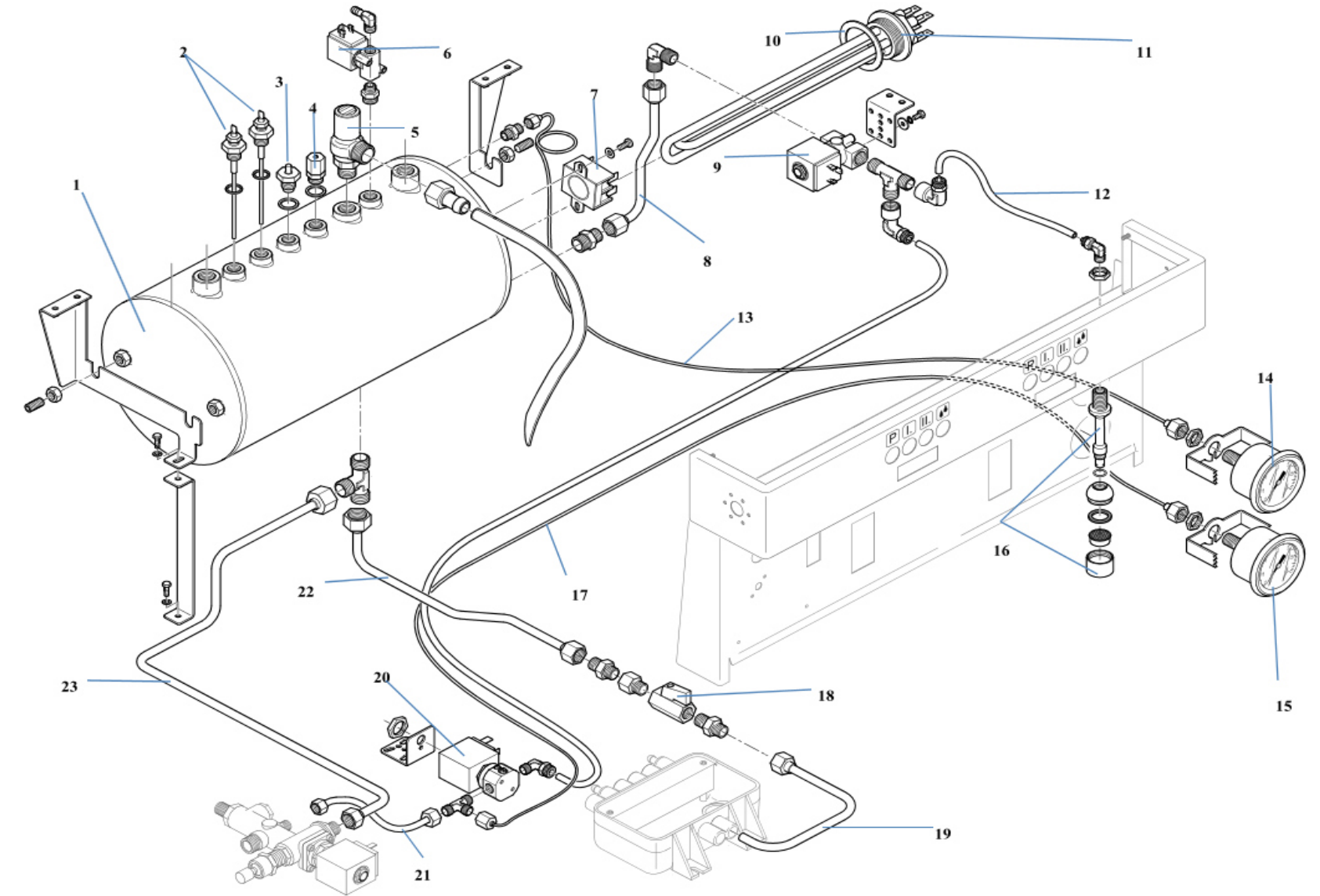
Steam valve assembly



| Pos.# | Description | Beschreibung | Description | Notes |
|-------|-------------|--|-----------------------------------|--------------------------------|
| 1 | M279905359 | Right hand pipe | Rohr rechts | Tube dx |
| | M27NI05359 | Right hand pipe USA/CDN | Rohr rechts USA / CDN | Tube dx USA / CDN |
| 2 | M229904791 | Interception valve | Ventil | Vanne |
| 3 | M279905833 | Pipe | Rohr | Tube |
| | M27NI05833 | Pipe USA / CDN | Rohr USA / CDN | Tube USA / CDN |
| 4 | M229905343 | Steam valve | Dampfventil | Vanne vapeur |
| | M22NI05343 | Steam valve USA / CDN | Dampfventil USA / CDN | Vanne vapeur USA / CDN |
| 5 | M279905377 | Pipe steam valve - steam wand | Rohr | Tube |
| | M27NI05377 | Pipe steam valve- steam wand USA/CDN | Rohr USA / CDN | Tube USA / CDN |
| 6 | M229905344 | Cam | Achse | Axe |
| 7 | M229905346 | Connector | Verbindungsstück | Raccord |
| 8 | M269905591 | Gasket | Dichtung | Joint |
| 9 | M229905347 | Support | Halterung | Support |
| 10 | A449904672 | OR3087 | OR3087 | OR3087 |
| 11 | A529R04649 | Steam handle cover | Blende | Cap |
| 12 | M699905528 | Lever | Hebel | Levier |
| 13 | M229905893 | Connector | Verbindungsstück | Raccord |
| 14 | R999904987 | Assembly | Kit | Kit |
| 15 | R219905874 | Steam wand assembly | Dampfrohr | Tube vapeur |
| 16 | C400002022 | OR | OR | OR |
| 17 | M219904706 | Steam tip | Dampfdüse | Buse vapeur |
| 18 | M279905360 | Left hand pipe | Rohr links | Tube sx |
| | M27NI05360 | Left hand pipe USA / CDN | Rohr links USA / CDN | Tube sx USA / CDN |
| 19 | M279905831 | Left pipe boiler to tap (2 gr.) | Rohr 2 Gr. | Tube 2 gr. |
| | M27NI05831 | Left pipe boiler to tap (2 gr.) USA/CDN | Rohr 2 Gr. USA/CDN | Tube 2 gr. USA / CDN |
| 19 | M279905832 | Left pipe boiler to tap (3 gr.) | Rohr links 3 Gr. | Tube sx 3 gr. |
| | M27NI05832 | Left pipe boiler to tap (3 gr.) CDN / CDN | Rohr links 3 Gr. CDN / CDN | Tube sx 3 gr. USA / CDN |

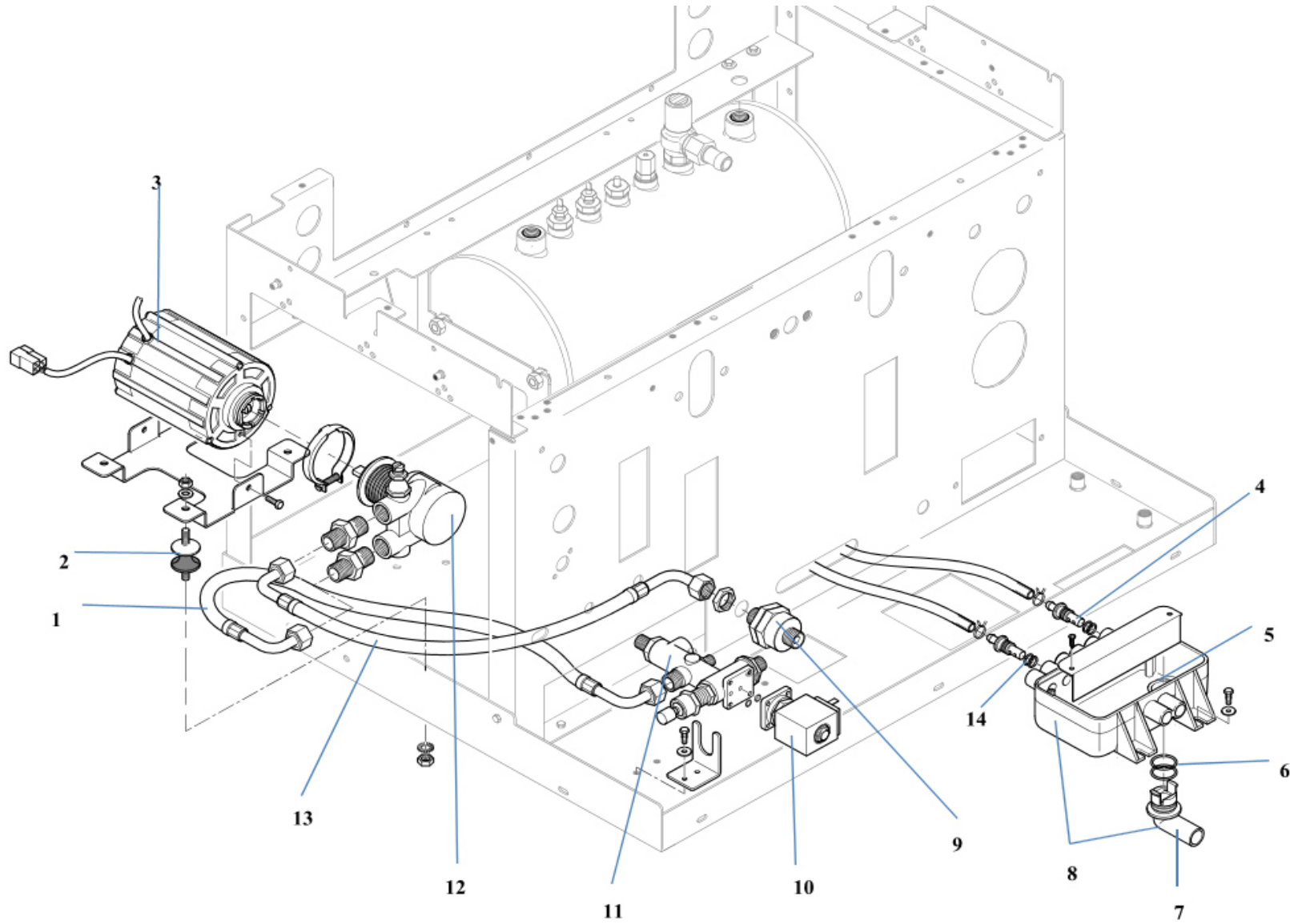


| Pos.# | Description | Beschreibung | Description | Notes |
|------------|--|---|--|-------|
| S299906074 | Tap seals kit (1 x A + 1 x B + 2 x C + 1 x D) | Kit Ventildichtungen (1 x A + 1 x B + 2 x C + 1 x D) | Kit joints vanne vapeur (1 x A + 1 x B + 2 x C + 1 x D) | |
| S299906075 | Leverage kit (3 x E + 2 x F + 1 x G) | Kit fuer Hebel (3 x E + 2 x F + 1 x G) | Kit pour levier (3 x E + 2 x F + 1 x G) | |



| Pos.# | Description | Beschreibung | Description | Notes |
|-------|-------------|--|---|--|
| 1 | M219905189 | Service boiler 2 group | Service-Kessel 2 Gruppen | Chaudière service 2 groupe |
| | M219905190 | Service boiler 3 group | Service-Kessel 3 Gruppen | Chaudière service 3 groupe |
| 2 | M199904821 | Level control probe | Füllstandssonde | Sonde niveau d'eau |
| 3 | M199905422 | Pressure transducer | Druckmessumformer | Transducteur de pression |
| 3a | M279905424 | Pressure transducer pipe | Rohr Druckmessumformer | Yube transducteur de pression |
| 4 | A219905510 | Vacuum breaker valve | Anti-Vakuum Ventil | Vanne anti-vide |
| 5 | M229906083 | Safety valve | Sicherheitsventil | Soupape de sécurité |
| 6 | M199905795 | Ant vacuum solenoid valve Parker | Anti-Vakuum Magnetventil Parker | Electrovanne anti-vide Parker |
| 7 | M199904767 | Thermostat 130°C | Thermostat 130°C | Thermostat 130°C |
| 8 | M279905847 | Pipe boiler-hot water valve | Rohr Kessel-Heisswasserventil | Tube chaudiere-vanne eau chaude |
| | M27NI05847 | Pipe boiler-hot water valve USA/CDN | Rohr Kessel-Heisswasserventil USA/ | Tube chaudiere-vanne eau chaude USA / |
| 9 | M199905791 | Solenoid valve Parker | Magnetventil Parker | Electrovanne anti-vide Parker |
| 10 | C469900239 | Heater gasket 1" | Heizkörperdichtung 1" | Joint résistance 1" |
| 11 | M199905695 | Heating element V. 230 - 3.000 W- 2 gr. | Heizkörper V. 230 - 3.000 W 2 Gr. | Résistance V. 230 - 3.000 W 2 groupes |
| | M199905182 | Heating element V. 230 - 2.500 W - 2 gr. USA | Heizkörper V. 230 - 2.500 W 2 Gr. | Résistance V. 230 - 2.500 W 2 groupe |
| | M199905696 | Heating element V. 230 - 3.500 W- 3 gr. | Heizkörper V. 230 - 3.500 W - 3 Gr. | Résistance V. 230 - 3.500 W - 3 groupes |
| | M199905183 | Heating element V. 230 - 3.000 W - 3 gr. USA | Heizkörper V. 230 - 3.000 W - 3 Gr. | Résistance V. 230 - 3.000 W - 3 groupes |
| 12 | C269900300 | Teflon pipe | Rohrverbindung | Tube téflon |
| 13 | M219904748 | Capillary tube to boiler gauge | Kapillar-Rohr zu Kesselmanometer | Tube capillaire manomètre chaudière |
| 14 | M299905566 | Boiler pressure gauge | Kesseldruck-Manometer | Manomètre pression chaudière |
| 15 | M299905567 | Pump pressure gauge | Pumpendruck-Manometer | Manomètre pression pompe |
| 16 | M219906004 | Hot water wand assembly | Heisswassertülle | Tube eau chaude |
| 16a | M219906003 | Connector for mobile water wand | Verbindungsstueck | Connedcteur |
| 17 | M219904747 | Capillary tube to pump gauge | Kapillar-Rohr zu Pumpenmanometer | Tube capillaire manomètre pompe |
| 18 | M229904791 | Boiler drain valve | Ventil f. Kesselentleerung | Vanne vidange chaudière |
| 19 | M279905508 | Pipe 2 group | Rohrverbindung 2 gruppig | Tuyau 2 groupes |
| | M279905509 | Pipe 3 group | Rohrverbindung 3 gruppig | Tuyau 3 groupes |
| 20 | M199905794 | Water tempering solenoid valve Park. | Magnetventil Kaltwasserbeimischung | Electrovanne mixage eau froide Parker |
| 21 | M219904754 | Pipe | Rohrverbindung | Tube |
| | M21NI04754 | Pipe USA/CDN | Rohrverbindung USA / CDN | Tube USA / CDN |
| 22 | M279905508 | Boiler drain pipe 2 group | Auslaufrohr Kesselentleerung 2 Gr. | Tube vidange chaudière 2 groupe |
| | M279905509 | Boiler drain pipe 3 group | Auslaufrohr Kesselentleerung 3 Gr. | Tube vidange chaudière 3 groupe |
| 23 | M279905851 | Boiler fill pipe 2 group | Kesselfuellrohr 2 Gr. | Tube remplissage chaudière 2 gr. |
| | M279905851 | Boiler fill pipe 2 group USA / CDN | Kesselfuellrohr 2 Gr. USA/CDN | Tube remplissage chaudière 2 gr. |
| | M279905852 | Boiler fill pipe 3 gr. | Kesselfuellrohr 3 Gr. | Tube remplissage chaudière 3 gr. |
| | M279905852 | Boiler fill pipe 3 group USA / CDN | Kesselfuellrohr 3 Gr. USA / CDN | Tube remplissage chaudière 3 gr. |

Hydraulics



| Pos.# | Description | Beschreibung | Description | Notes |
|-------|-------------|--|---------------------------------------|---|
| 1 | M219904694 | Flexible tube | Schlauch | Tuyau |
| 2 | M499904781 | Shock absorber | Stosshaempfer | Amortisseur pompe |
| 3 | M199904779 | Pump motor V. 230 - 180 W | Pumpenmotor V. 230 - 180 W | Moteur pompe V. 230 - 180 W |
| 4 | M529905382 | Diffuser with OR | Sprühverteiler mit O-Ring | Diffuseur avec OR |
| 5 | M619905574 | Swivelling connector fixing | Befestigung des Stutzens | Fixage connexion rotatif |
| 6 | M449905463 | Gasket | Dichtung | Joint |
| 7 | M439905384 | Swivelling connector | Drehbarer Abfluss-Stutzen | Raccord rotatif |
| 8 | R439905383 | Drain tray (incl. 5,6,7) | Abflusstrichter (einschl. 5,6,7) | Bac vidange (incl. 5,6,7) |
| 9 | M229904811 | Water inlet connector | Wassereinlaufstutzen | Connexion entrée d'eau |
| | M22NI04811 | Water inlet connector USA / CDN | Wassereinlaufstutzen USA / CDN | Connexion entrée d'eau USA / CDN |
| 10 | M199905793 | Boiler fill solenoid valve | Magnetventil Kesselbefüllung | Electrovanne remplissage eau |
| 11 | M229904813 | Valve block | Ventilblock | Bloc vannes |
| | M22NI04813 | Valve block USA / CDN | Ventilblock USA / CDN | Bloc vannes USA / CDN |
| 12 | M229904780 | Pump 104 l | Pumpe 104 L | Pompe 104 l |
| 13 | M219904694 | Flexible tube | Schlauch | Tuyau |
| 14 | C449900702 | OR for diffuser | OR | OR |