



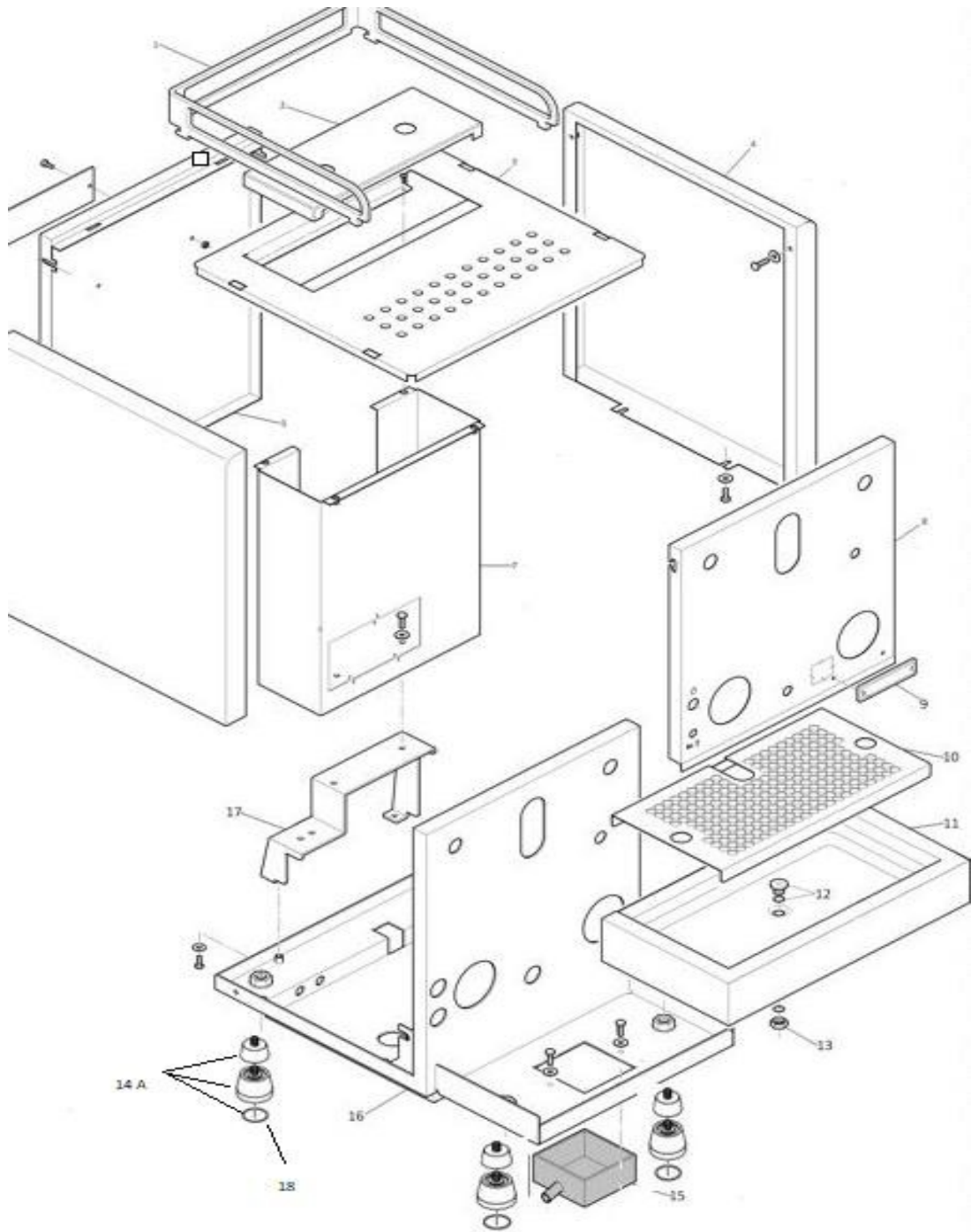
# **R58**

**Espresso Machine**

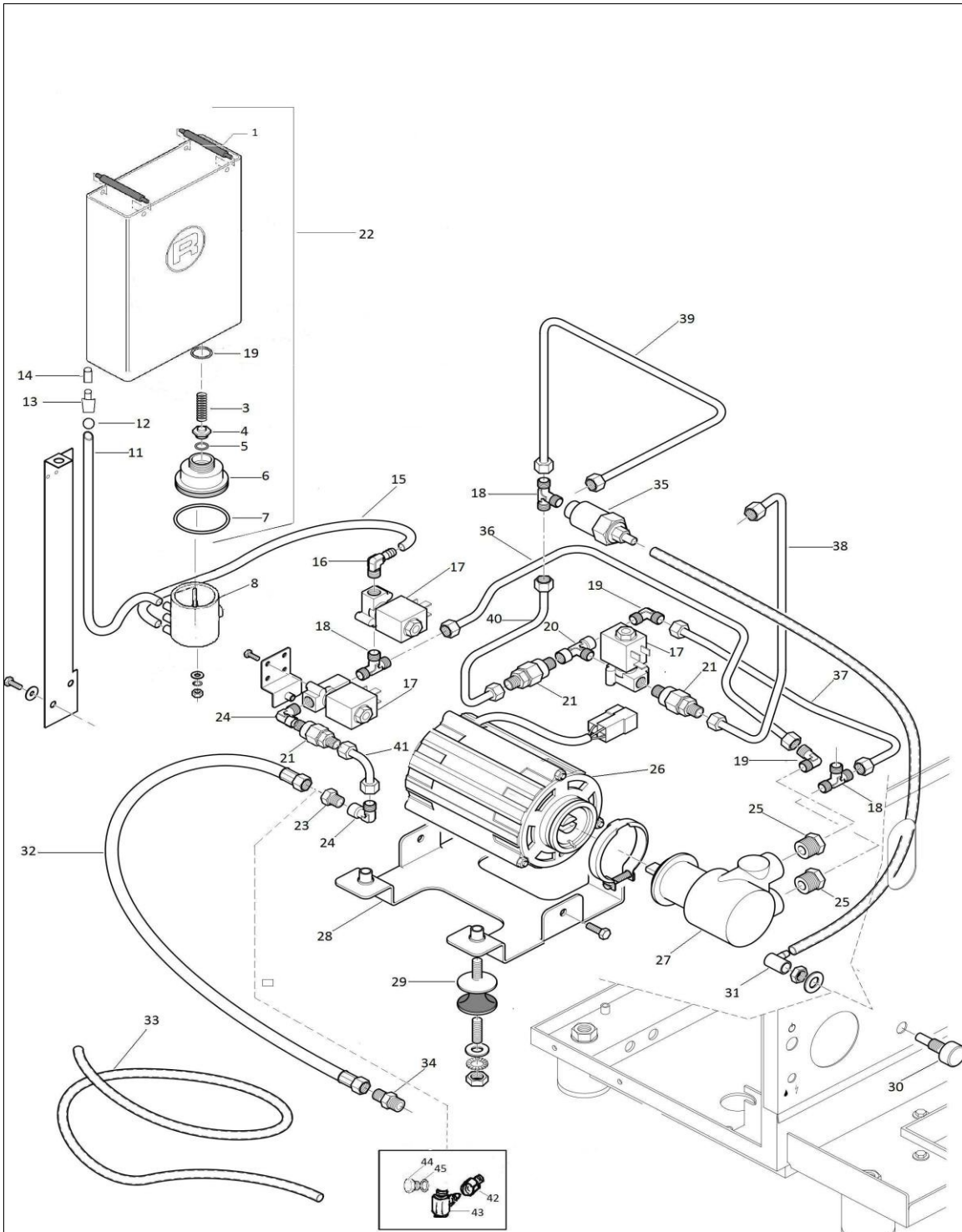
**Spare parts**

**catalogue**

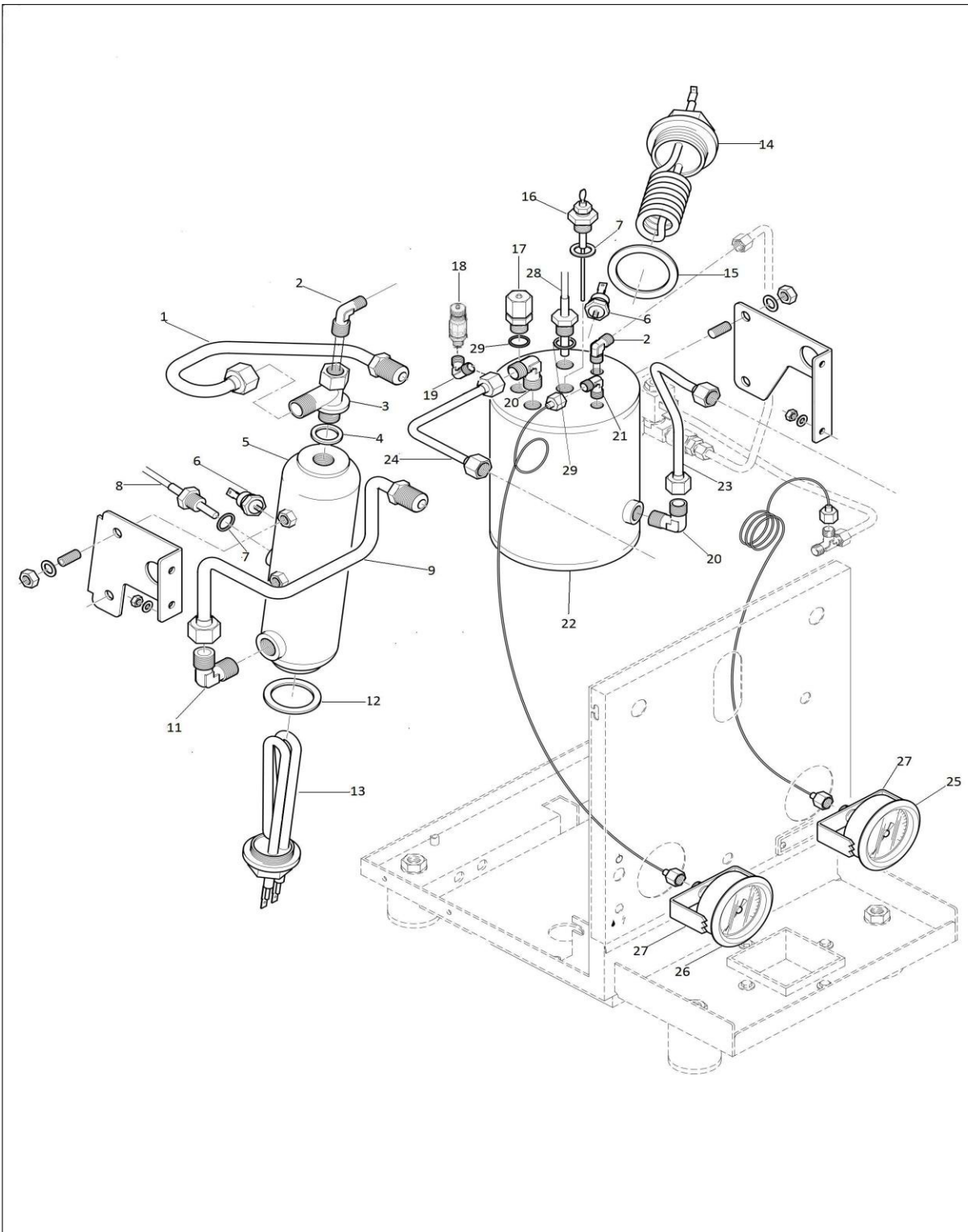
**Ed. 09.2023**



Pos.	Code Nr.	Description	Notes
1	A619904640	Cups frame	
2	R01L000382	Reservoir cover complete	
3	A010004657	Cups support panel	
4	A010004659	Side panel	
5	A010004658	Rear panel	
6	A859904400	Rear tag	
7	A019904656	Tank guide	
8	A011004561	Front panel	
9	A859905056	Front tag	
10	A019904346	Grid	
11	R01L005125	Drip tray	
12	A229904512	Drip tray plug with Oring	
13	A329904369	1/8 Half nut	
14 A	R059906167	Foot with extension (2 pcs)	From serial # C1706...
14	A019904282	Foot 40mm (not shown)	Up to serial # C1705....
15	A439904913	Drain bucket	
16	A009905127	Chassis	
17	A009904661	Water tank guide support	
18	R849906343	Silicone O-Ring	

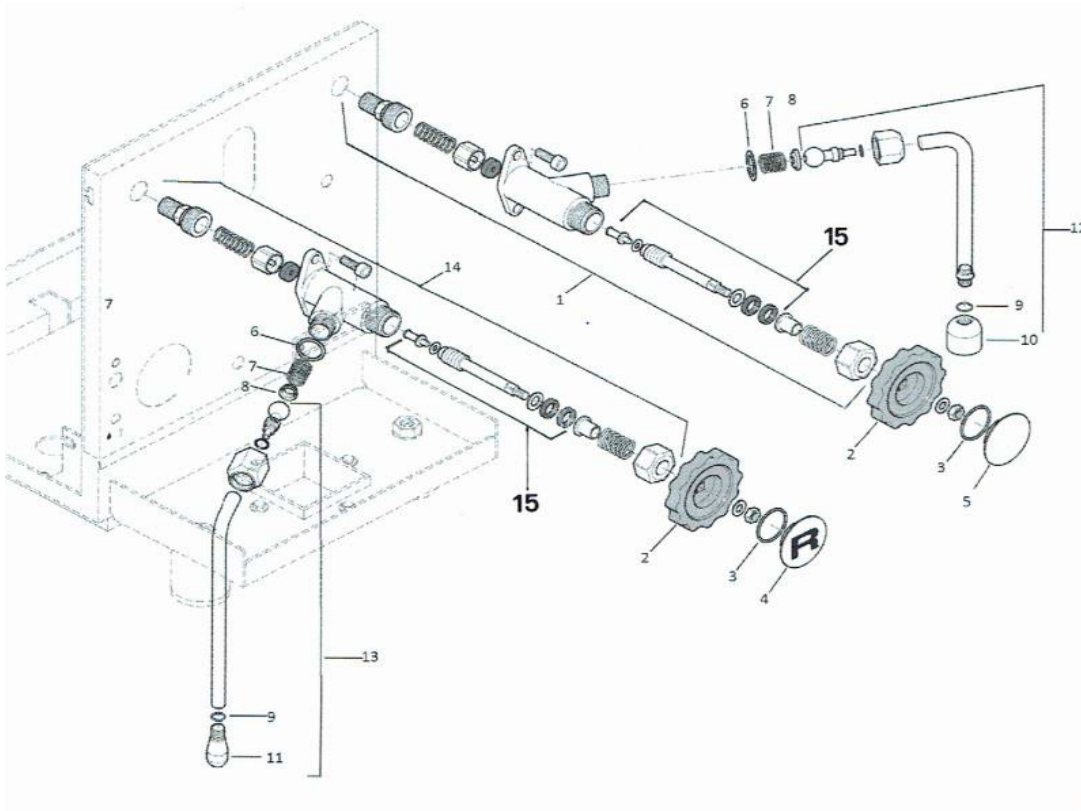


Pos.	Code Nr.	Description	Notes
1	A639904956	Water tank handle	
3	C019900711	Water tank spring	
4	C430003482	Connector	
5	C449900702	O ring	
6	A439905146	Coupling	
7	A449904547	O ring	
8	R839905148	Manifold	from Sn D1314R581793
8	A439904347	Manifold	till Sn D1314R581793
8a	C520003483	Opening valve rod	till Sn D1314R581793
			(use with 8 and 8b)
8b	C449901159	O ring	till Sn D1314R581793
			(use with 8 and 8a)
11	C260003822	6 x 9 Silicon pipe	
12	C430003819	Valve ball	
13	C220003818	Non return connector	
14	C400001928	4 x 7 Silicon pipe	
15	C499900769	5 x 8 Silicon pipe	
16	A229904511	Silicon pipe holder	
17	C190004066	Solenoid valve V230	
17 A	C190004067	Solenoid valve V115	
18	A229904358	1/8 T Connector M	
19	A449905151	Oring	
20	C229900703	1/8 T Connector FMF	
21	C229900540	Non return valve	
23	A229905086	1/8 MF Reduction	
24	A229904445	1/8 L Connector MF	
25	A229904356	3/8 - 1/8 MF Reduction	
26	A199904493	Pump motor V230	
26 A	A199904494	Pump motor V115	
27	A299904495	Volumetric pump	
28	A009904447	Motor bracket	
29	A499904364	Motor schock absorber	
30	A227704363	Expansion output	
31	C449900709	Rubber connector	
32	A299904390	Direct water connection hose	
33	M499904824	9 x12 Silicon pipe	
34	A229904374	3/8 M-1/8 M Connector	
34 USA	A229905211	3/8 F-1/8 M Connector	
34 USA	A229905212	3/8 M - 9/16 M Connector	
35	C229900911	Expansion valve	
36	A279904642	Pipe	
37	A279904643	Pipe	
38	A279904644	Pipe	
39	A279904647	Pipe	
40	A279904648	Pipe	
41	A27NI04353	Pipe	
42	A220004313	Water inlet connector	
43	A229904349	Svivel connector	
44	A229904548	1/8 Plug	
45	A469904549	Teflon gasket 1/8	
22	R899905145	Water tank complete	



Pos.	Code Nr.	Description	Notes
1	A279905173	Inlet pipe w. 3 mm restrictor	
2	C22NI00393	Injector	
3	C229900740	Connector	
4	C479900673	Copper gasket	
5	A270004558	Coffee boiler	
6	C199901550	Thermostat 135C	
7	A269904417	Teflon gasket 1/4	
8	A199904679	NTC Probe	
9	A279904641	Return pipe	
11	A229904957	L Connector 3/8 MM	
12	C469900239	Heating element gasket	
13	A199905013	Heating element V230	
13 A	A199905014	Heating element V115	
14	A110004667	Heating element V230	
14 A	A110004668	Heating element V115	
15	A269904671	Heating element gasket	
16	A199905078	R58 Service boiler probe	
17	A219905510	Vacuum breaker valve	
18	A229905084	Safety valve 1.8	
19	A229904680	3/8 L Connector MF	
20	C229900525	1/4 L Connector MM	
21	A229904355	1/8 L Connector MM	
22	A270004559	Service boiler	
23	A279904645	Hot water pipe	
24	A279904646	Steam pipe	
25	A299904663	Pump pressure gauge	
26	A299904662	Boiler pressure gauge	
27	M009904997	Pressure gauge support	
28	A119905081	NTC Service boiler probe	
29	A269904417	Teflon gasket	

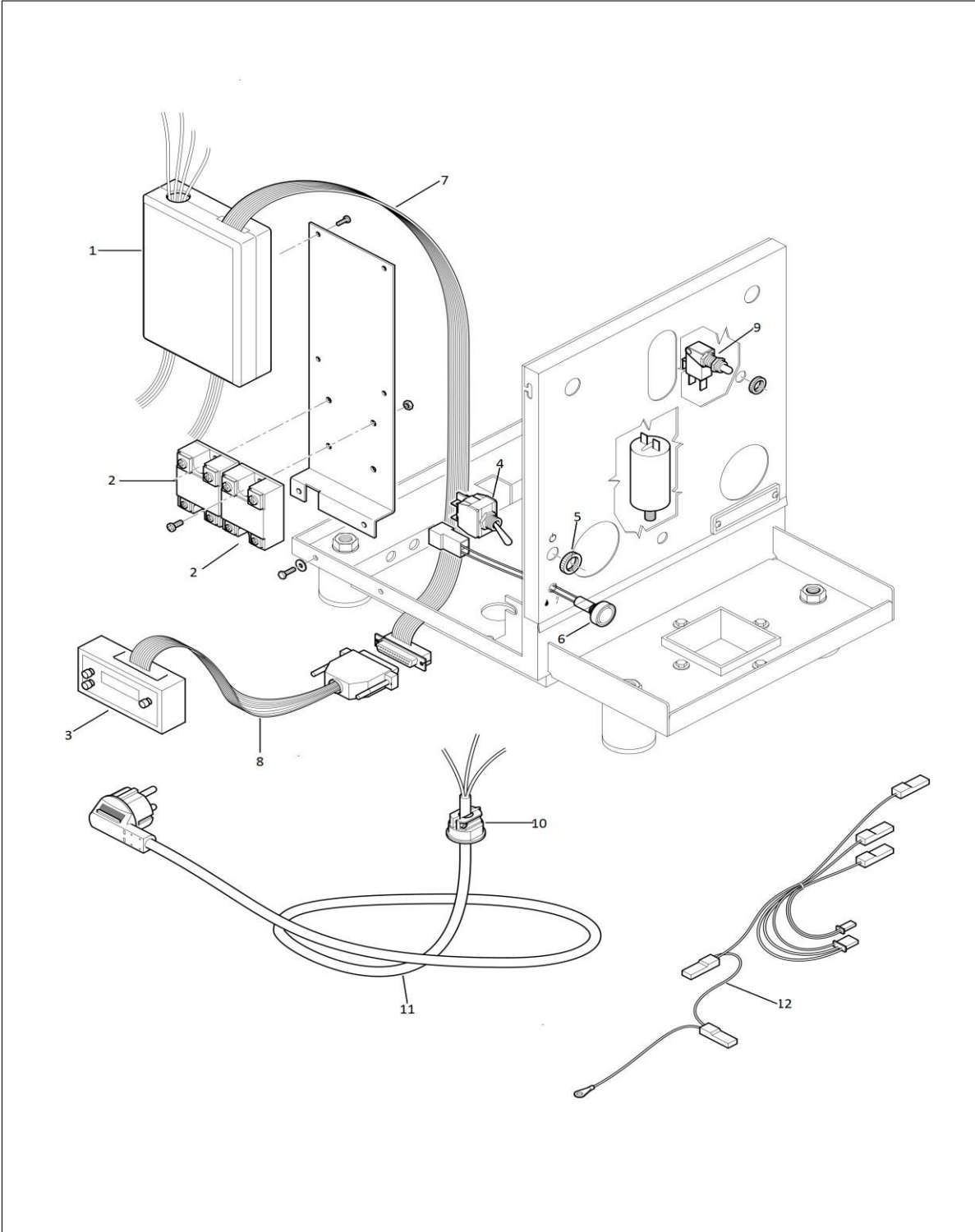
Steam and hot water assembly



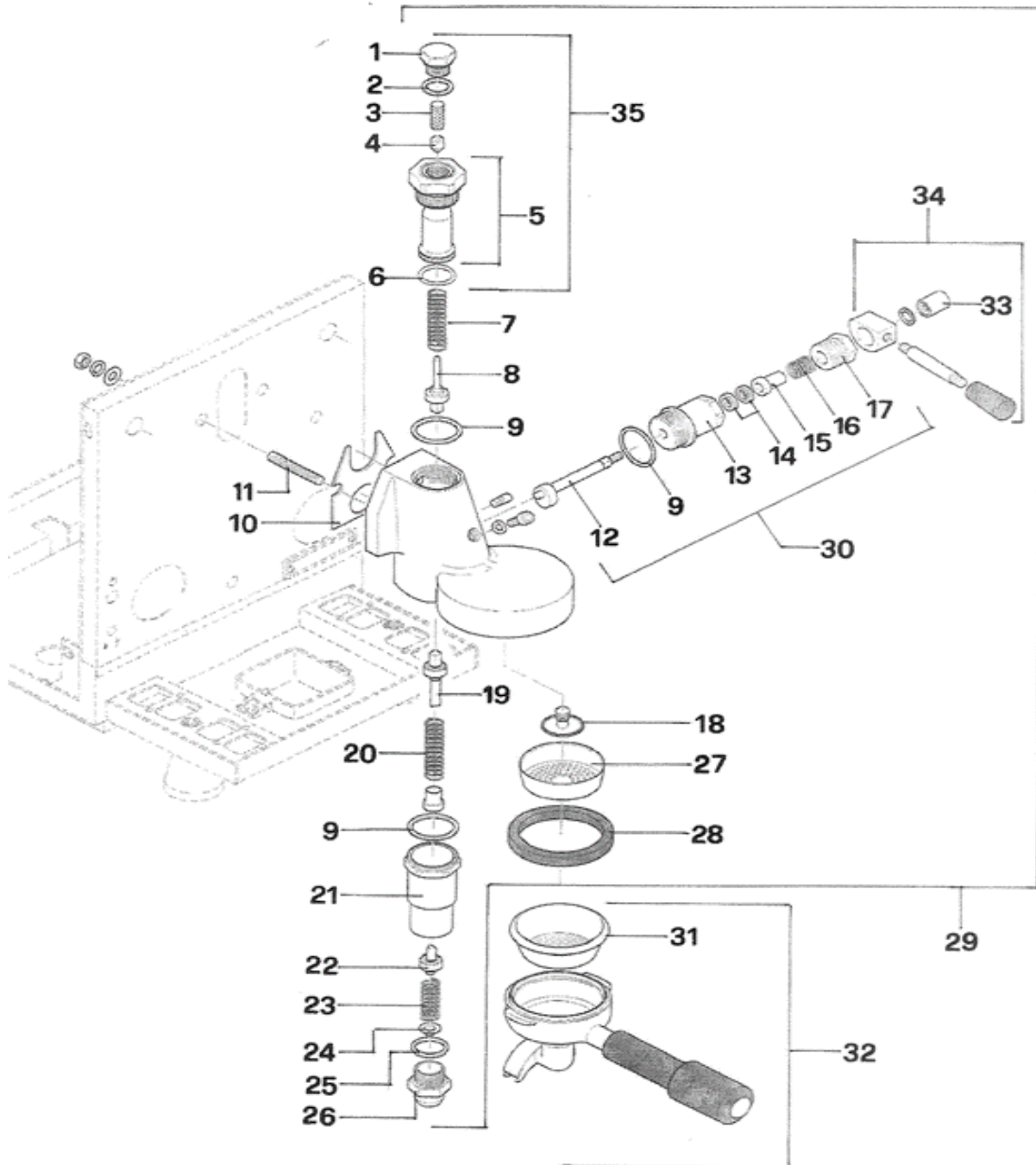
Steam and hot water assembly

Pos.	Code	Description	Notes
1	A227704669	Hot water valve with handle	
2	A639905816	Steam/hot water valve handle	From serial # D1540R58
3	A449904672	O-ring	
4	A529R04649	Steam cover handle	
5	A527704649	Hot water cover handle	
6	A449904331	Teflon gasket	
7	A209904332	Spring	
8	A229904333	Plate	
9	C400002022	O-ring	
10	R299905217	Hot water nozzle	
11	A899905091	Steam tip 1.5	
11a	A899905092	Steam tip 1.2	
12	A219904650	Hot water wand complete	
13	A219904651	Steam wand complete	
14	A227705093	Steam valve with handle	
15	R229905676	Valve rod (compl. assembly kit)	





Pos.	Code Nr.	Description	Notes
1	A190004664	Control Box V230	
1.A	A199905012	Control Box V115	
2	A190004666	Rele	
3	RA199905727	Display complete with spiral cable	
4	A199904992	On/Off switch	
5	A529904989	Nut	
6	A139904519	Green lamp	
7	A199904673	Flat cable connection to board	
8	A199904674	Conn. cable board to display	till Sn D1233R584657
8	A199905115	Spiral cable	from Sn D1233R584657
9	A199905198	Microswitch	
10	C439900086	Cordlock	
11	C199900957	CE Power cord	
11	A199904518	IS Power cord	
11	A199904616	KR Power cord	
11	C199900958	UL Power cord	
11	C199901115	AUS/NZ Power cord	
11	C199901116	GB Power cord	
11	C199901510	CH Power cord	
12	A190004639	Wiring loom	



Pos.	#	Description	Notes
1	A229904391	Rounded nut	
2	C469900420	Gasket	
3	C619900554	Filter	
4	C229900549	Restrictor 0,8	
6	C469900422	Green gasket	
7	A999905754	Spring	
8	R229905608	Valve	
9	C469900421	Teflon gasket	
10	C449900767	Gasket	
11	A319904599	Screw	
12	R229905238	Shaft	
13	R000002142	Flange	
14	C219900426	Gasket	
15	R000002143	Support	
16	C219900427	Spring	
17	R000002144	Cover	
18	C229901228	Diffuser	
19	R229905239	Valve	
20	A999905754	Spring	
21	C229901165	Cylinder	
22	R229905609	Valve	
23	R299905958	Spring	
24	R000002148	Connector	
25	C469900783	Gasket	
26	R000002149	Connector	
27	C519900103	Shower foil	
28	C449900229	Group gasket	
29	C200002983	Group complete	
30	R299905887	Cam kit	
31	C610003902	7 g filter basket	
	C610003901	14 g filterbasket	
	C619900106	Backflush cap ("blind filter")	
32	A699905020	1 cup filter holder with basket	
	A699905021	2 cups filter holder with basket	
33	R000002146	Pin	
34	R299905888	Lever assembly	
35	RA99905814	Ceramic group shaft	

<b>35</b>	<b>C200002983</b>	<b>Group complete</b>	
-----------	-------------------	-----------------------	--